



TRINITY GLASS INTERNATIONAL

33615 1st Way S, Federal Way, WA 98003

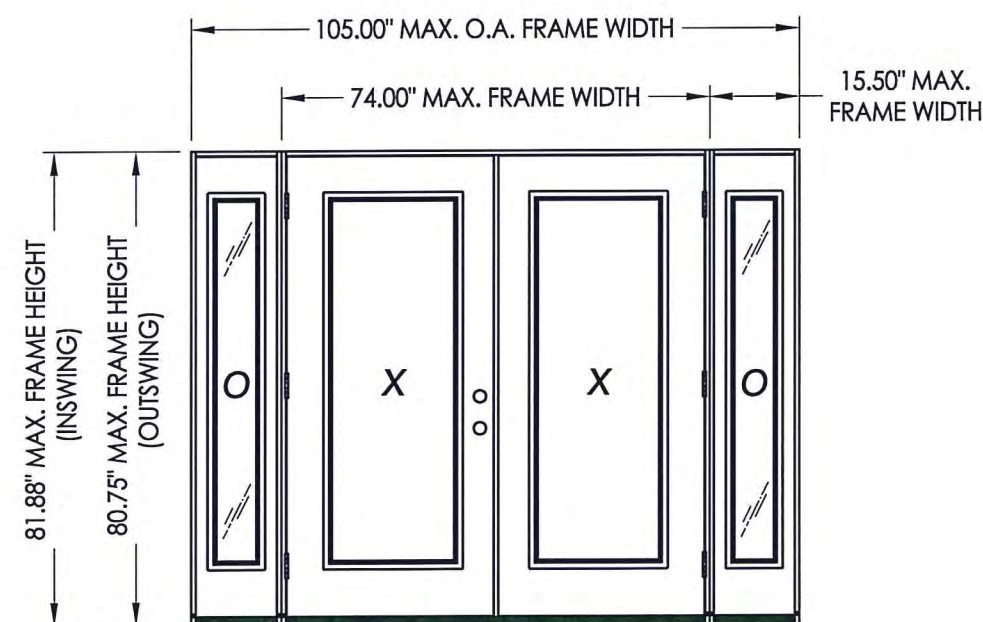
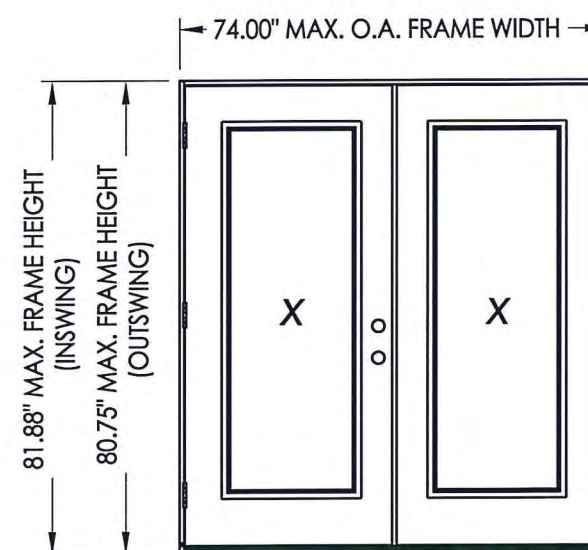
GLAZED FIBERGLASS DOOR w/wo SIDELITES IN SWING / OUT SWING "NON-IMPACT"

GENERAL NOTES

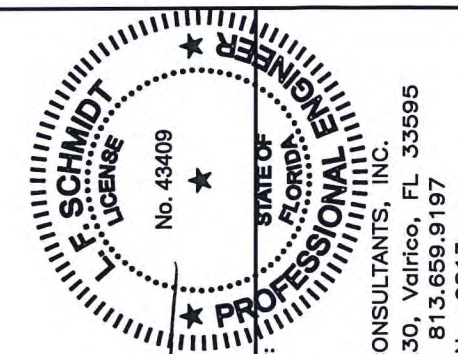
1. This product has been evaluated and is in compliance with the 5th Edition (2014) Florida Building Code (FBC) structural requirements including the "High Velocity Hurricane Zone" (HVHZ).
2. Product anchors shall be as listed and spaced as shown on details. Anchor embedment to base material shall be beyond wall dressing or stucco.
3. When used in the "HVHZ" this product is required to be protected with an impact resistant covering that complies with Section 1626 of the FBC.
4. When used in areas outside of the "HVHZ" requiring wind borne debris protection this product is required to be protected with an impact resistant covering that complies with Section 1609.1.2 of the FBC.
5. For 2x stud framing construction, anchoring of these units shall be the same as that shown for 2x buck masonry construction.
6. Site conditions that deviate from the details of this drawing require further engineering analysis by a licensed engineer or registered architect.
7. Outswing configuration using threshold item #25 meet water infiltration requirements for "HVHZ".
8. Inswing configurations and outswing configuration using threshold item #27 do not meet the water infiltration requirements for the "HVHZ" and shall be installed only in non-habitable areas or at habitable locations protected by an overhang or canopy such that the angle between the edge of canopy or overhang to sill is less than 45 degrees.

TABLE OF CONTENTS

SHEET#	DESCRIPTION
1	Typical elevations, design pressures & general notes
2	Door panel details - flush glazing
3	Door panel details - lip lite glazing
4	Sidelite panel details & glazing details
5	Sidelite panel details & glazing details
6	Elevations
7	Horizontal cross sections
8	Vertical cross sections
9	Vertical cross sections
10	Buck anchoring
11	Frame anchoring
12	Astragal details
13	Components
14	Bill of materials



CONFIGURATION	MAX. FRAME DIMENSION	DESIGN PRESSURE (PSF) ALUMINUM ASTRAGAL		DESIGN PRESSURE (PSF) PVC ASTRAGAL	
		POSITIVE	NEGATIVE	POSITIVE	NEGATIVE
XX	74.0" x 81.88"	+ 55.0	- 55.0	+ 47.0	- 47.0
OXXO	105.0" x 81.88"	+ 55.0	- 55.0	+ 47.0	- 47.0



Documents Prepared By:
Lyndon F. Schmidt
P.E. No. 43409

RW
BUILDING CONSULTANTS, INC.
P.O. Box 230, Valrico, FL 33595
Phone No.: 813.659.9197
FBPE C.A. No. 9813

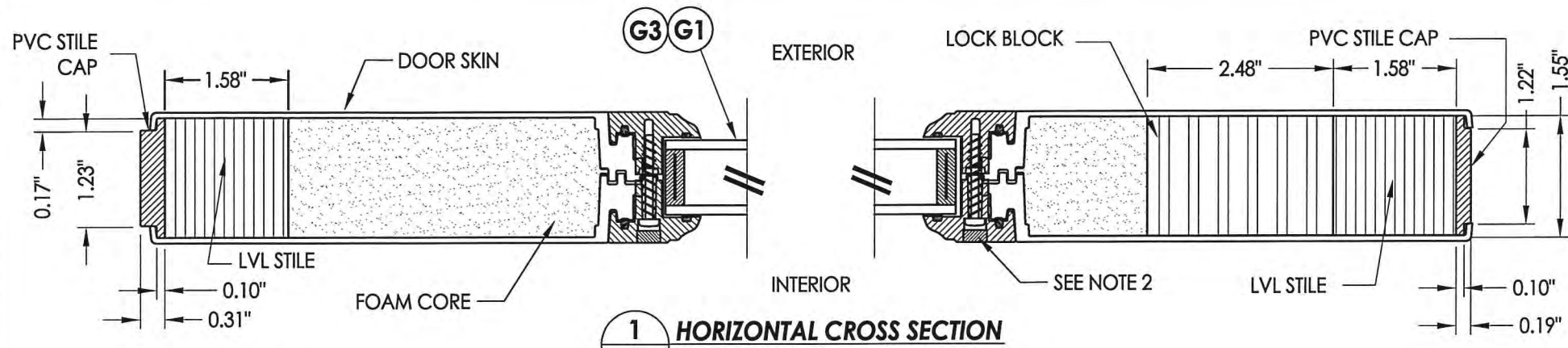
PRODUCT: TRINITY GLASS INT'L

PART OR ASSEMBLY:
TYPICAL ELEVATION, DESIGN PRESSURES & GENERAL NOTES

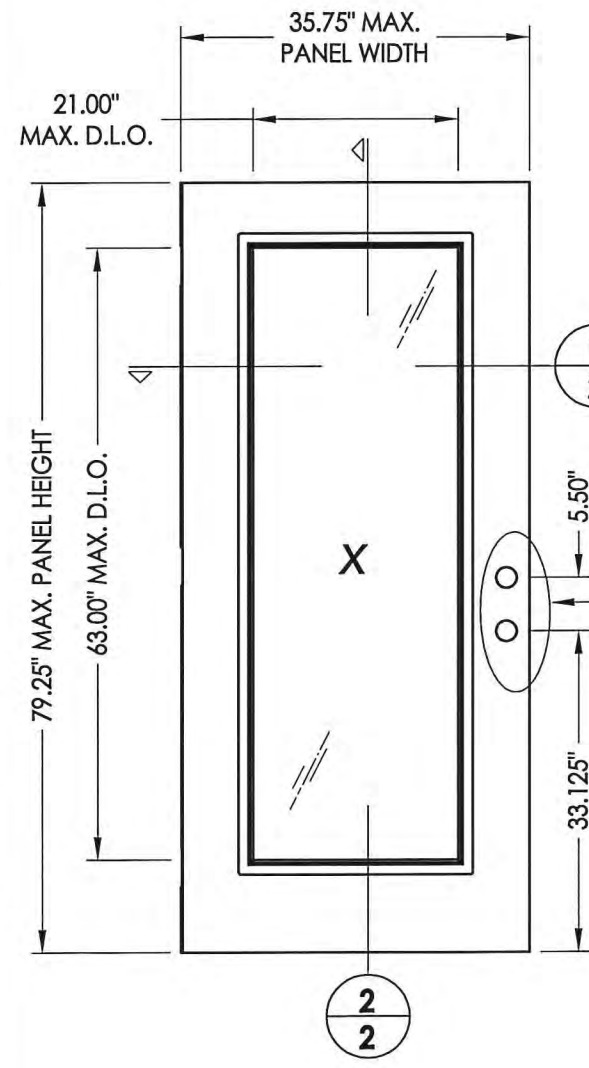
NO.	DATE	REVISIONS
1	03/02/15	UPDATE TO 5TH ED. (2014) FBC

DATE: 2/27/12
SCALE: N.T.S.
DWG. BY: JK
CHK. BY: LFS
DRAWING NO.: FL-15255.16
SHEET 1 OF 14

R:\Clients\Trinity PERMANENT\Florida Product Approvals\FL-15255\C - Drawings\FL-15255\FL-15255.13-16.dwg, 2.14



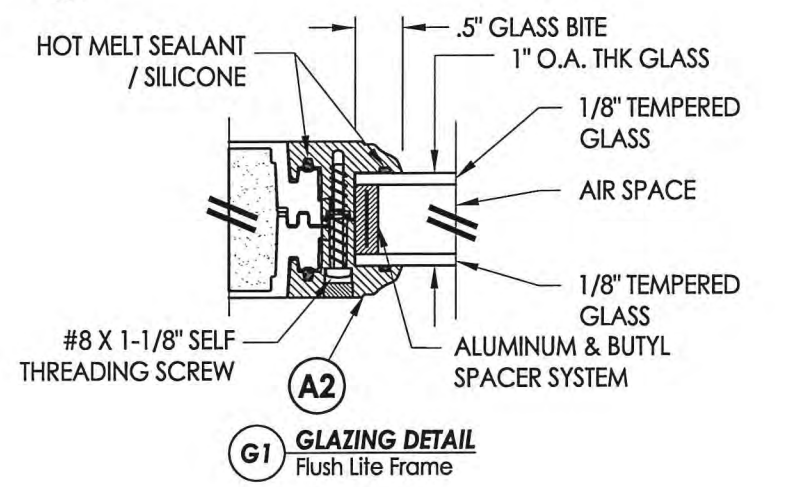
1 HORIZONTAL CROSS SECTION



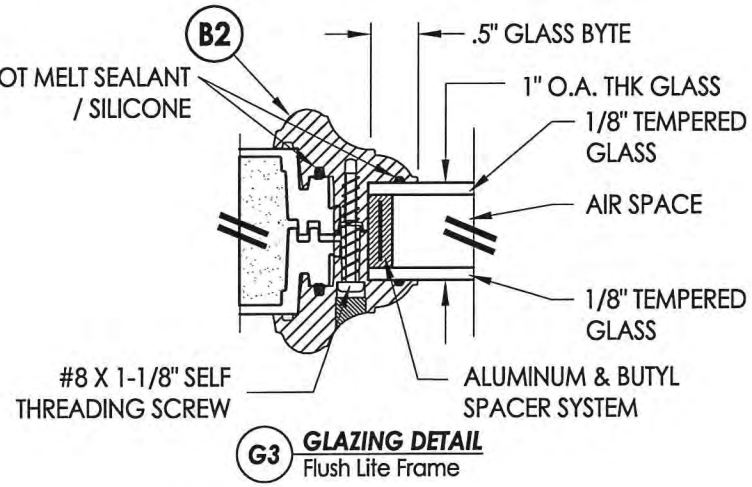
40 FIBERGLASS DOOR with FLUSH GLAZING

FIBERGLASS DOOR SKIN: MIN. 0.079\"/>

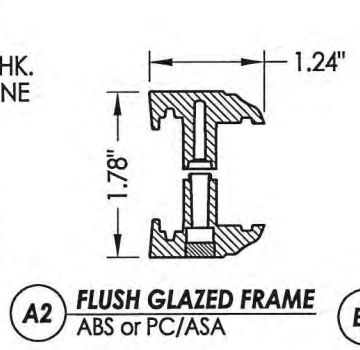
NOTES:
 Spacing for life frame screws is as follows:
 Top/Bottom: 2-3/4\"/>



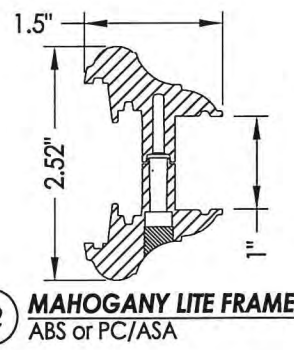
A2 GLAZING DETAIL
Flush Lite Frame



B2 GLAZING DETAIL
Flush Lite Frame

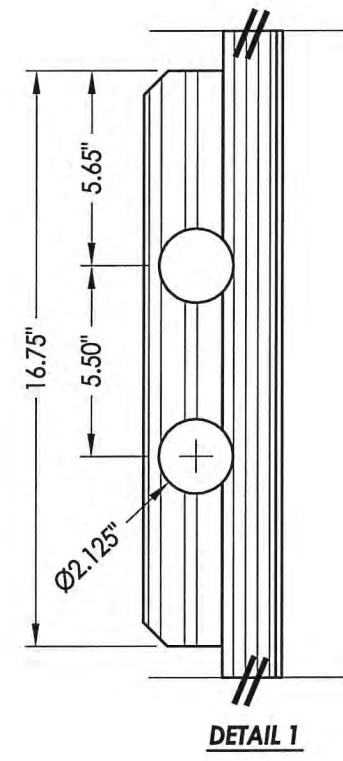


A2 FLUSH GLAZED FRAME
ABS or PC/ASA

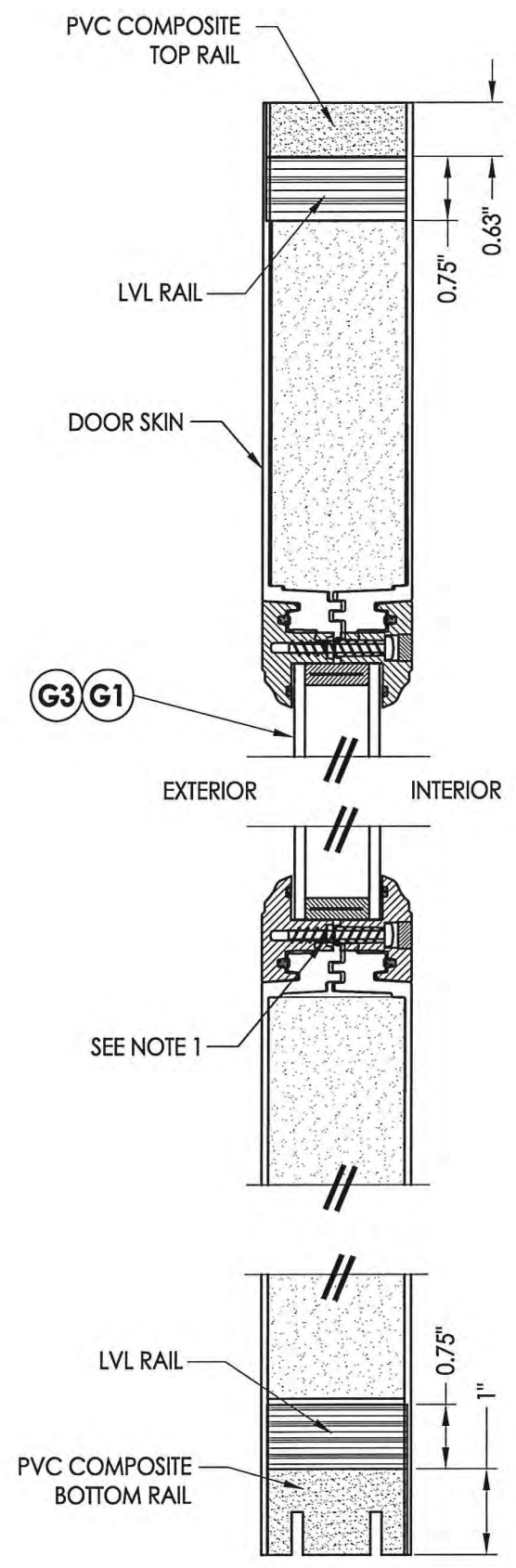


B2 MAHOGANY LITE FRAME
ABS or PC/ASA

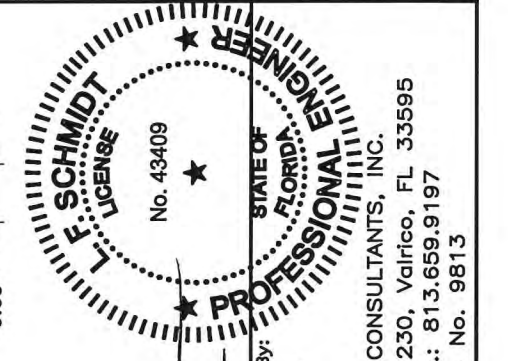
HARDWARE CHART	
MANUFACTURER	MODEL
KWIKSET	KNOB: SIGNATURE SERIES DEADBOLT: SIGNATURE SERIES (980)



DETAIL 1



2 VERTICAL CROSS SECTION

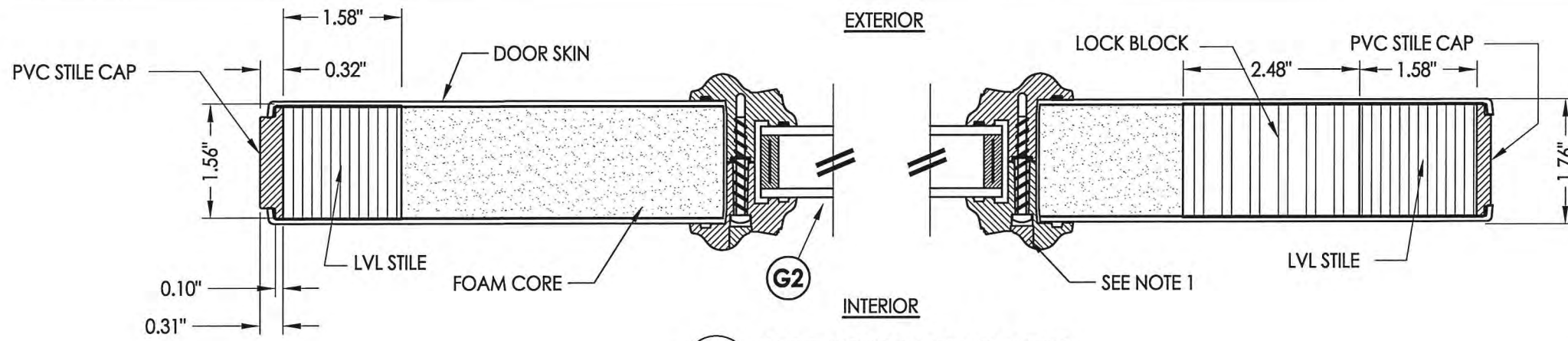


Documents Prepared By:
 Lyndon F. Schmidt
 P.E. No. 43409

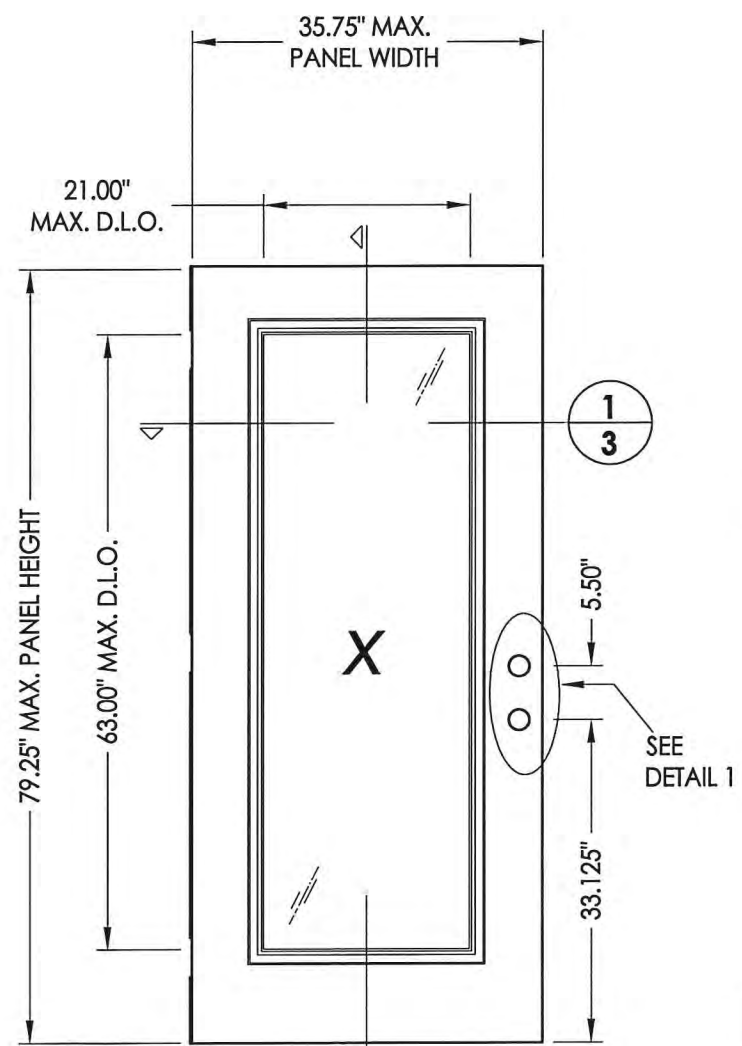
RW
 BUILDING CONSULTANTS, INC.
 P.O. Box 230, Vairico, FL 33595
 Phone No.: 813.659.9197
 FBPE C.A. No. 9813

PRODUCT:	TRINITY GLASS INT'L
PART OR ASSEMBLY:	DOOR PANEL DETAILS FLUSH GLAZING
DATE:	2/27/12
SCALE:	N.T.S.
DWG. BY:	JK
CHK. BY:	LFS
DRAWING NO.:	FL-15255.16
SHEET	2 OF 14

R:\Clients\Trinity PERMANENT\Florida Product Approvals\FL-15255\C - Drawings\FL-15255\FL-15255.13-16.dwg, 3.14

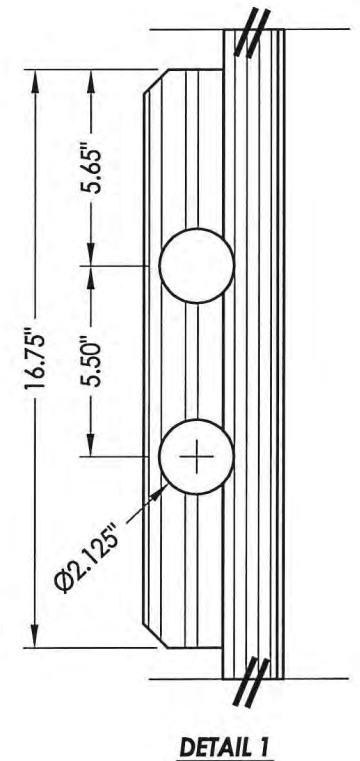


1
3 HORIZONTAL CROSS SECTION

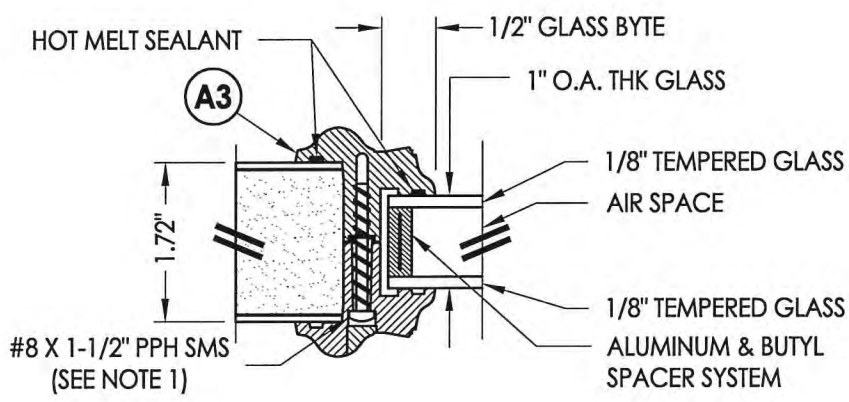


2
3
40 FIBERGLASS DOOR PANEL with LIP LITE GLAZING

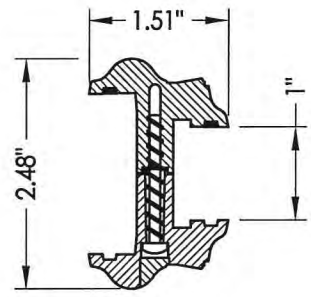
FIBERGLASS DOOR SKIN: MIN. 0.079" THK.
FOAM CORE MATERIAL: POLYURETHANE



DETAIL 1



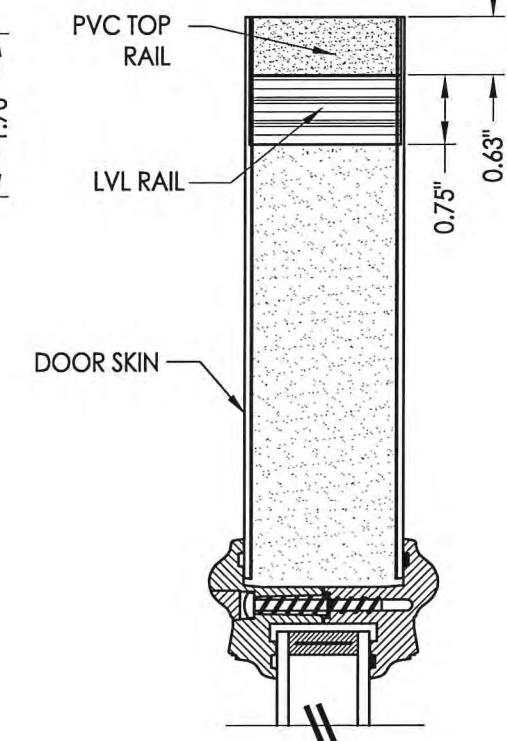
G2 GLAZING DETAIL Lip Lite Frame



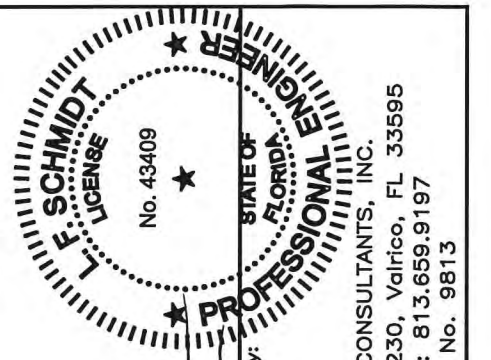
A3 LIP LITE FRAME ABS or PC/ASA

HARDWARE CHART	
MANUFACTURER	MODEL
KWIKSET	KNOB: SIGNATURE SERIES DEADBOLT: SIGNATURE SERIES (980)

NOTE:
1. Spacing for lite frame screw is as follows:
Top and Bottom: 2" from each corner and at centerline (3 total)
Sides: 2" from each corner and equally spaced thereafter (8 total)



2
3 VERTICAL CROSS SECTION



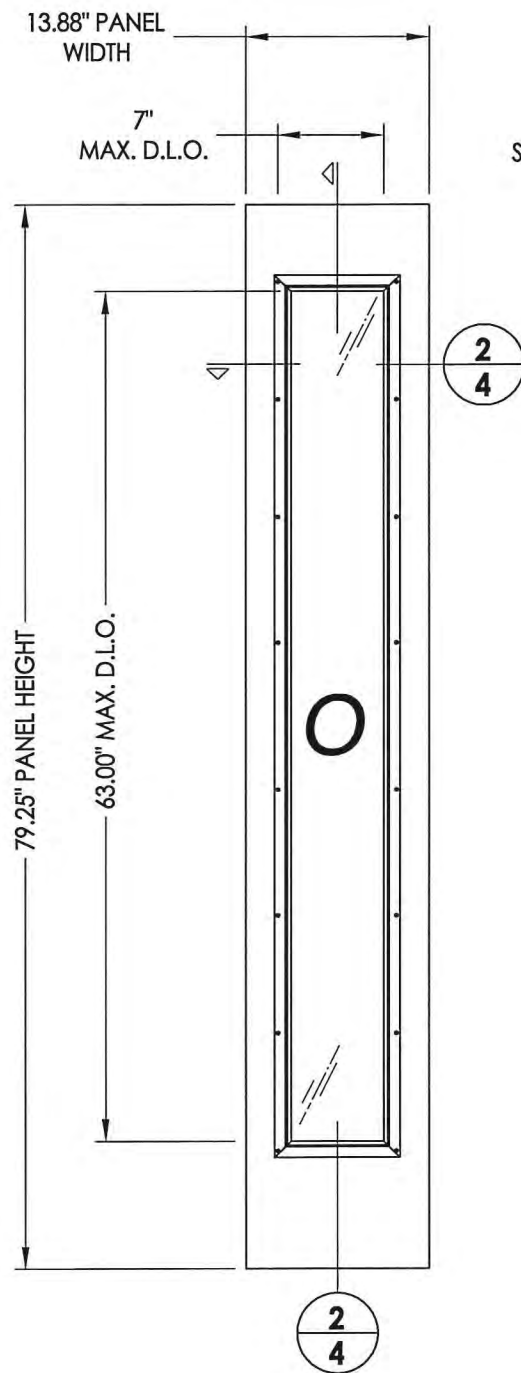
Documents Prepared By:
Lyndon F. Schmidt
P.E. No. 43409

RW
BUILDING CONSULTANTS, INC.
P.O. Box 230, Valrico, FL 33595
Phone No.: 813.659.9197
FBPE C.A. No. 9813

PRODUCT:	TRINITY GLASS INT'L
PART OR ASSEMBLY:	DOOR PANEL DETAILS LIP LITE GLAZING

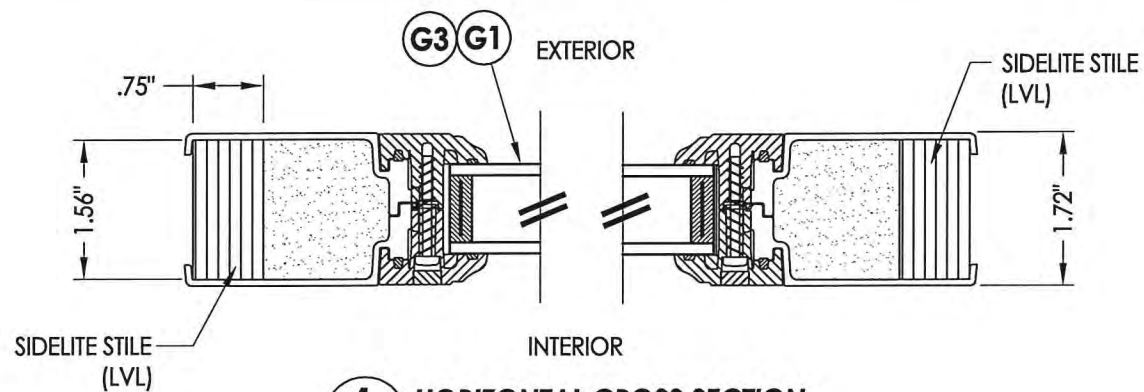
NO.	DATE	BY	REVISIONS
1	03/02/15	FBC	UPDATE TO 5TH ED. (2014)

DATE:	2/27/12
SCALE:	N.T.S.
DWG. BY:	JK
CHK. BY:	LFS
DRAWING NO.:	FL-15255.16
SHEET	3 OF 14

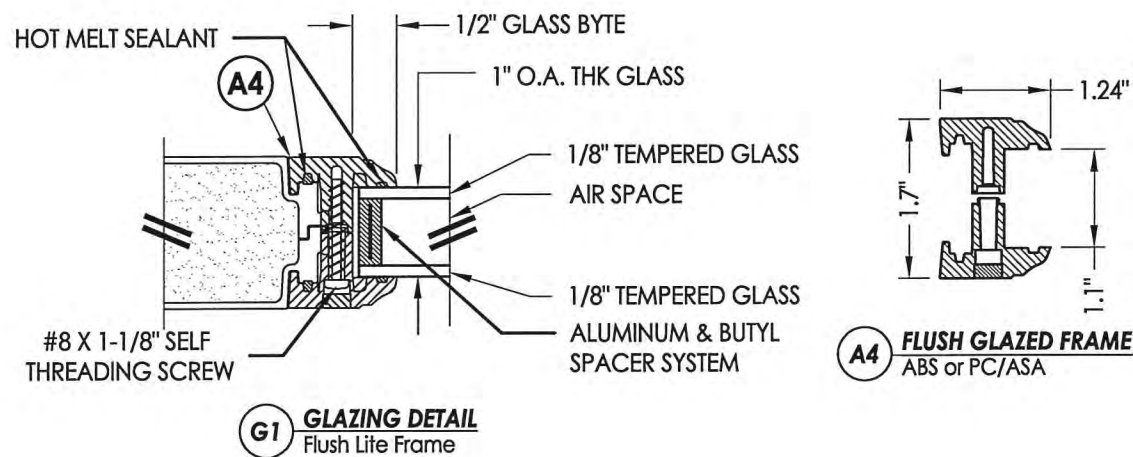


42 FIBERGLASS SIDELITE
"Non-Impact" Flush Lite Frame

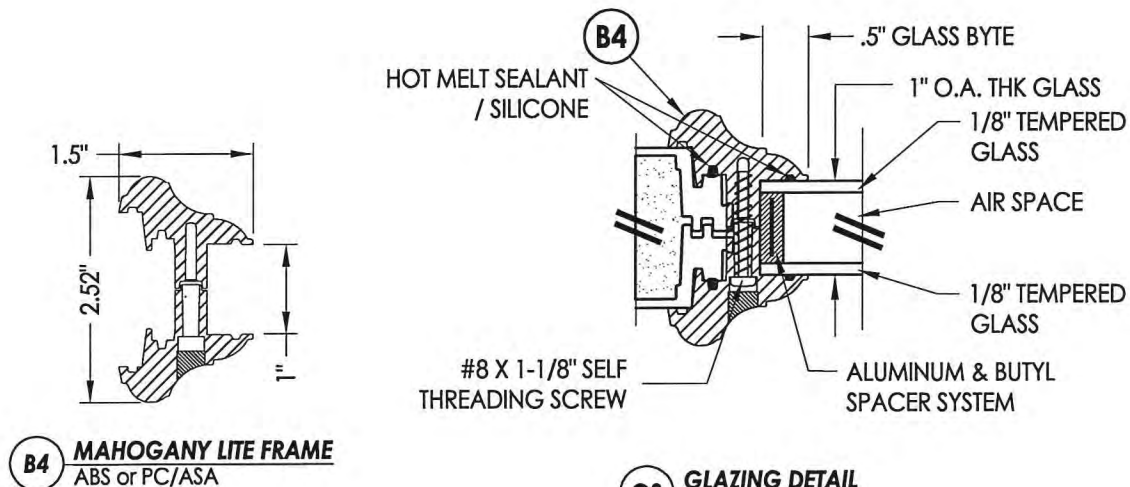
DOOR SKIN: 0.079" MIN. THK. FIBERGLASS
CORE MATERIAL: POLYURETHANE FOAM



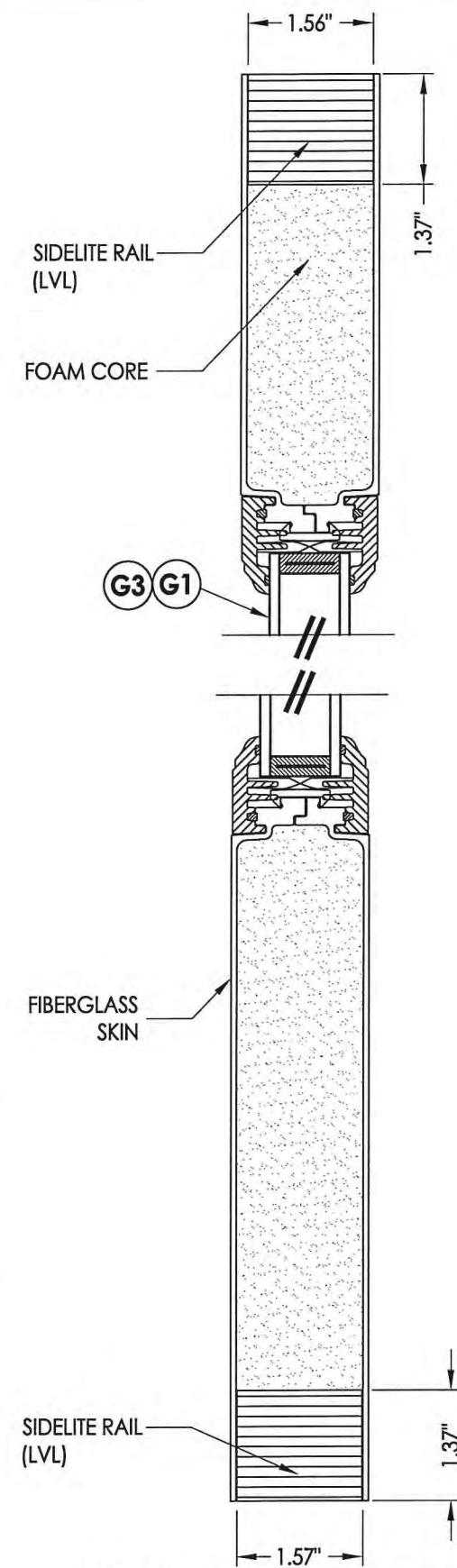
1 HORIZONTAL CROSS SECTION



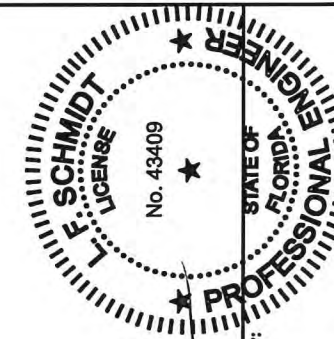
A4 FLUSH GLAZED FRAME
ABS or PC/ASA



G3 GLAZING DETAIL
Flush Lite Frame



2 VERTICAL CROSS SECTION



Documents Prepared By:
Lyndon F. Schmidt
P.E. No. 43409

R.W. BUILDING CONSULTANTS, INC.
P.O. Box 230, Valrico, FL 33595
Phone No.: 813.659.9197
FBPE C.A. No. 9813

PRODUCT: TRINITY GLASS INT'L

PART OR ASSEMBLY:
SIDELITE PANEL DETAILS
& GLAZING DETAILS

NO.	DATE	REVISIONS
1	03/02/15	UPDATE TO 5TH ED. (2014) FBC
JK		
BY		

DATE: 2/27/12

SCALE: N.T.S.

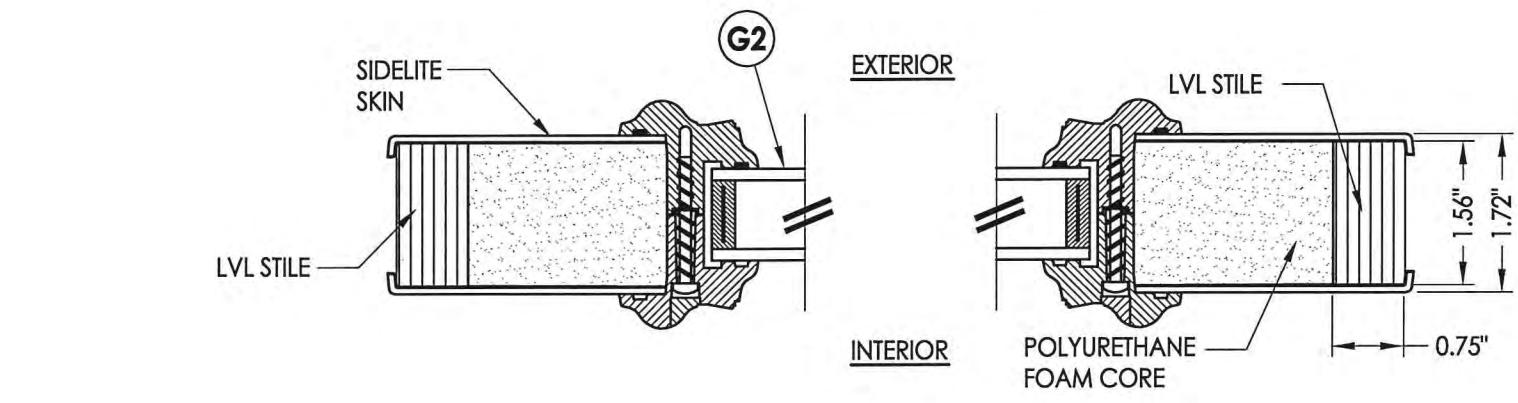
DWG. BY: JK

CHK. BY: LFS

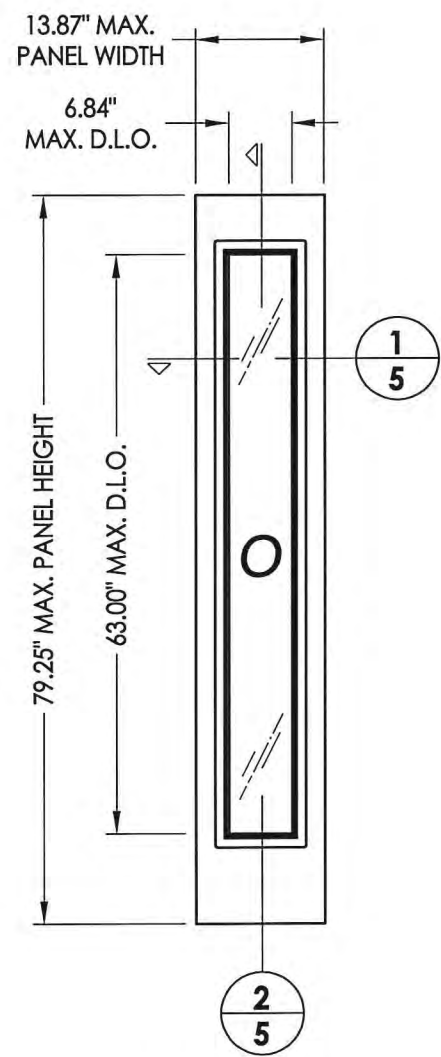
DRAWING NO.:
FL-15255.16

SHEET 4 OF 14

NOTE:
1. Spacing for lite frame screw is as follows:
Sides: 0.5" from each corner and 9.5" max. spacing thereafter (8 total)



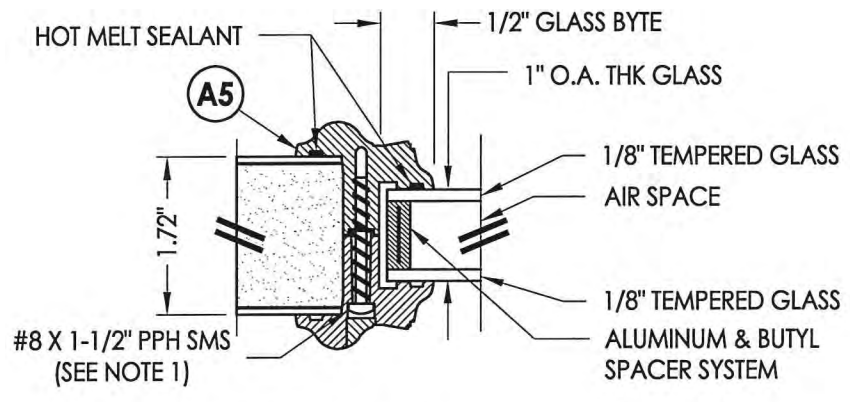
1
5 **HORIZONTAL CROSS SECTION**



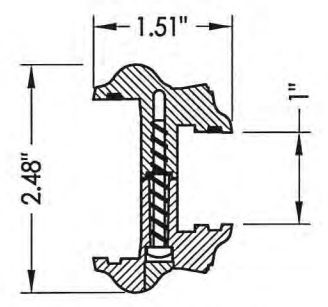
41 **FIBERGLASS SIDELITE**
"Non-Impact" Lite Frame

DOOR SKIN: 0.079" MIN. THK. FIBERGLASS
CORE MATERIAL: POLYURETHANE FOAM

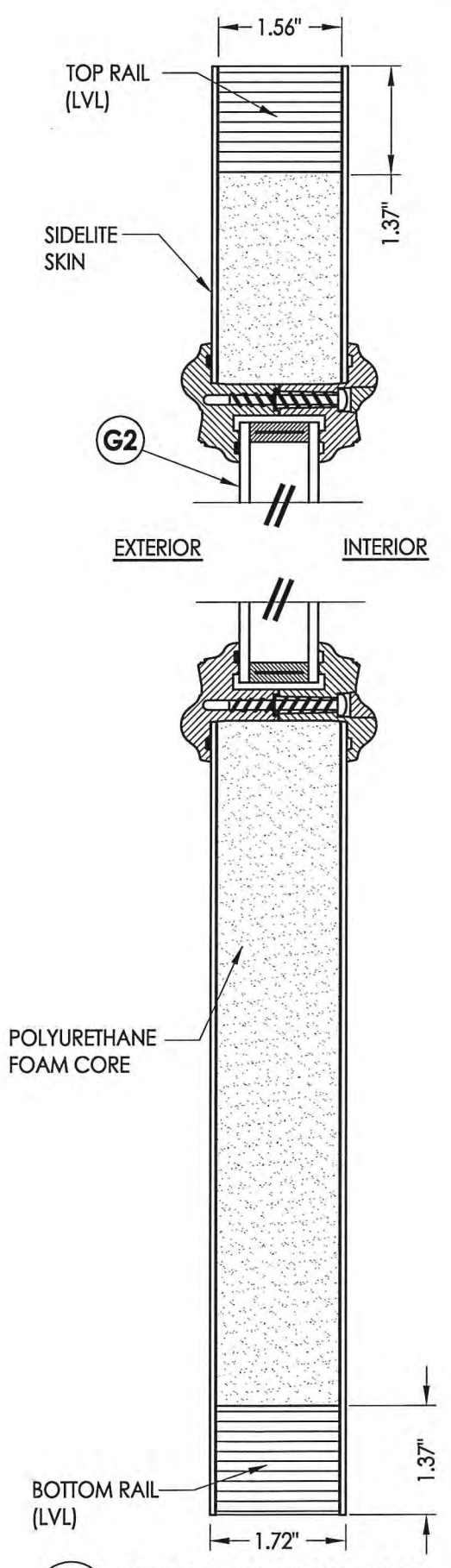
NOTE:
1. Spacing for lite frame screw is as follows:
Top and Bottom: 2" from each corner (2 total)
Sides: 2" from each corner and equally spaced thereafter (8 total)



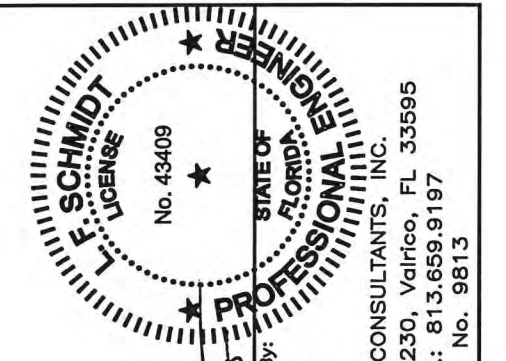
G2 **GLAZING DETAIL**
Lip Lite Frame



A5 **LIP LITE FRAME**
ABS or PC/ASA



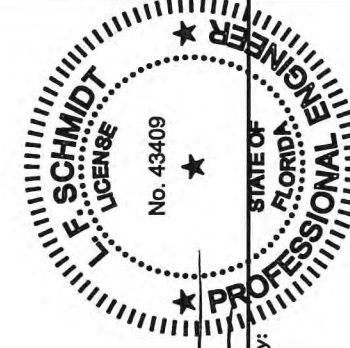
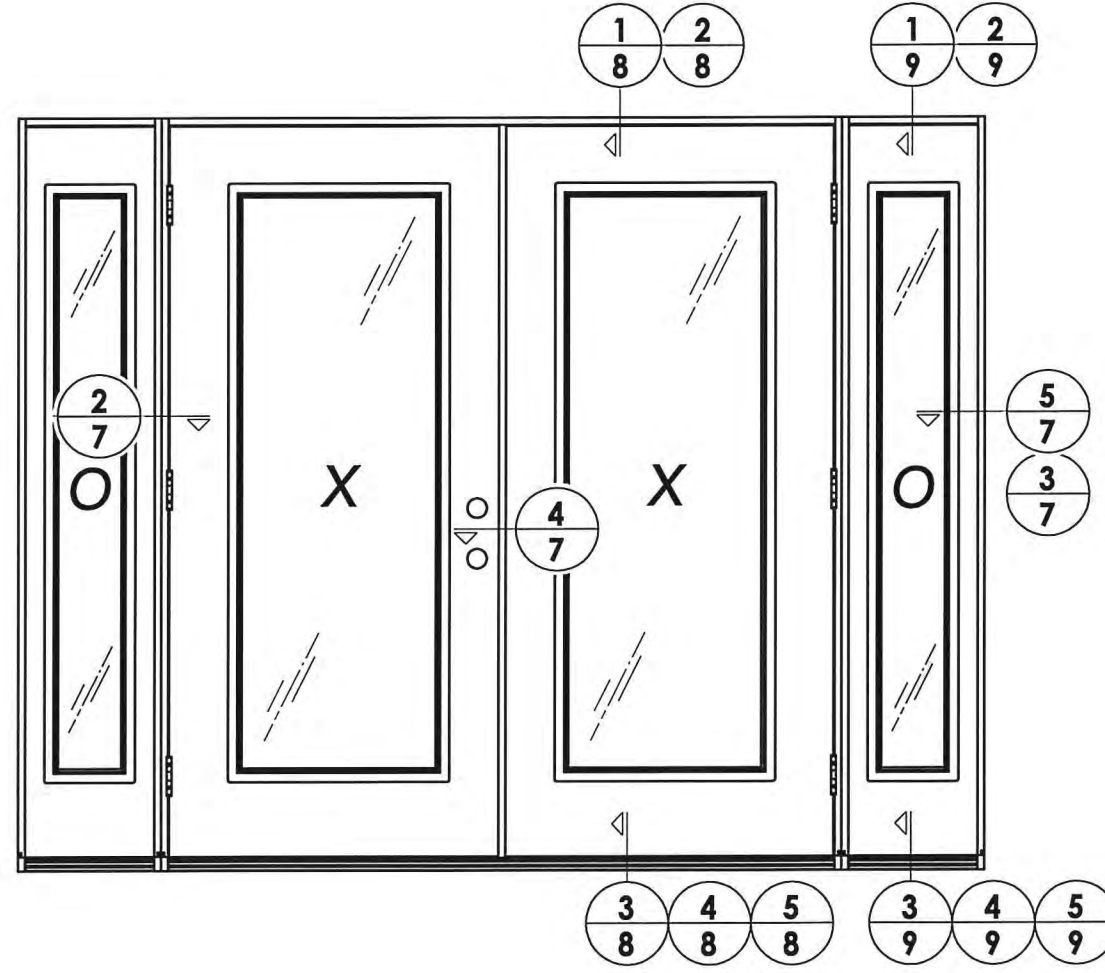
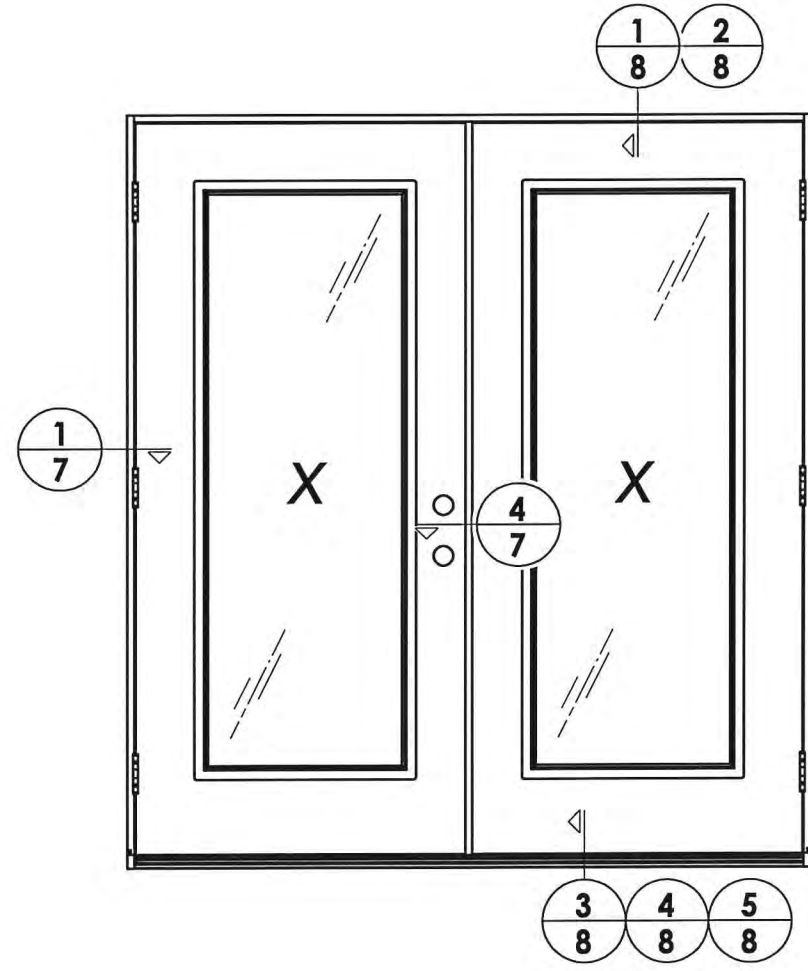
2
5 **VERTICAL CROSS SECTION**



Documents Prepared By:
Lyndon F. Schmidt
P.E. No. 43409

RW BUILDING CONSULTANTS, INC.
P.O. Box 230, Valrico, FL 33595
Phone No.: 813.659.9197
FBPE C.A. No. 9813

PRODUCT:	TRINITY GLASS INT'L	
PART OR ASSEMBLY:	SIDELITE PANEL DETAILS & GLAZING DETAILS	
NO.	DATE	BY
1	03/02/15	JK
UPDATE TO 5TH ED. (2014) FBC		
REVISIONS		
DATE:	2/27/12	
SCALE:	N.T.S.	
DWG. BY:	JK	
CHK. BY:	LFS	
DRAWING NO.:	FL-15255.16	
SHEET	5	OF 14



Lyndon F. Schmidt
 Documents Prepared By:
 Lyndon F. Schmidt
 P.E. No. 43409

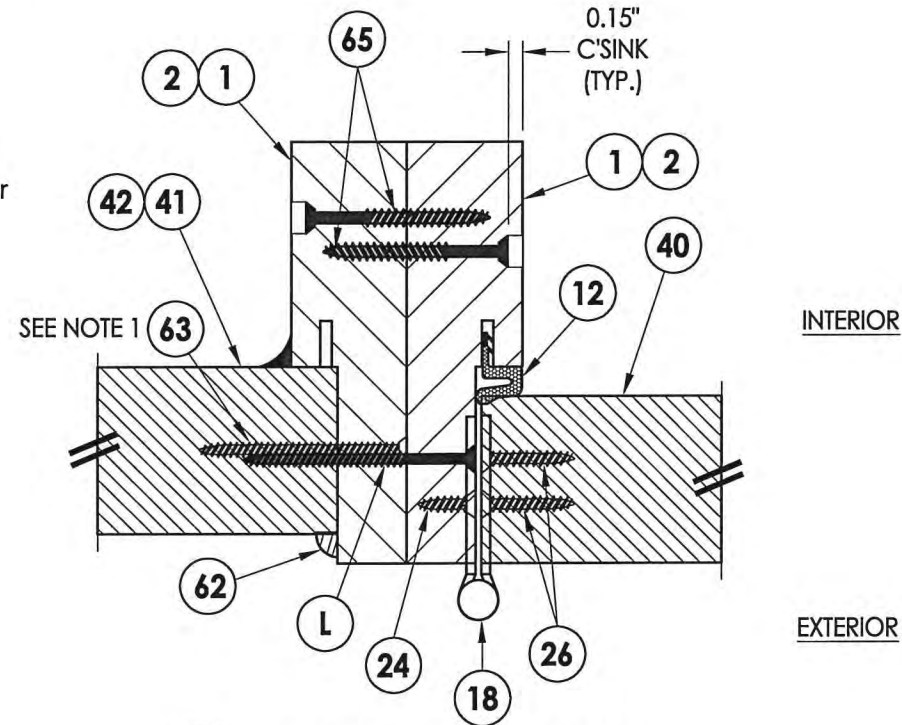
RW BUILDING CONSULTANTS, INC.
 P.O. Box 230, Vairico, FL 33595
 Phone No.: 813.659.9197
 FBPE C.A. No. 9813

PRODUCT: TRINITY GLASS INT'L	
PART OR ASSEMBLY: ELEVATIONS	
DATE: 2/27/12	SCALE: N.T.S.
DWG. BY: JK	CHK. BY: LFS
DRAWING NO.: FL-15255.16	
SHEET 6 OF 14	
NO.	DATE
1	03/02/15
UPDATE TO 5TH ED. (2014) FBC	
JK	BY
REVISIONS	

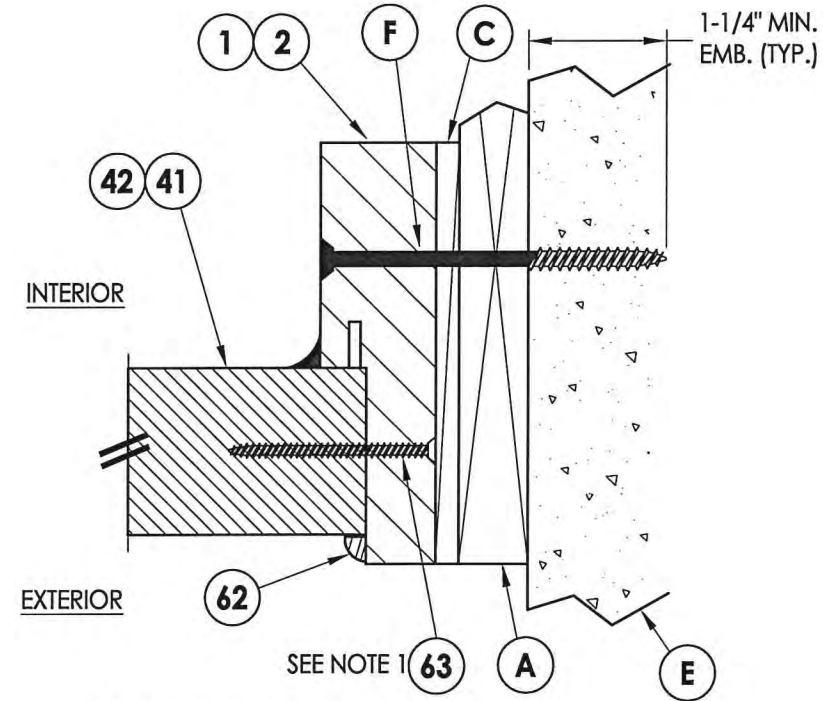
R:\Clients\Trinity PERMANENT\Florida Product Approvals\FL-15255\C - Drawings\FL-15255\FL-15255.13-16.dwg, 7.14

NOTE:

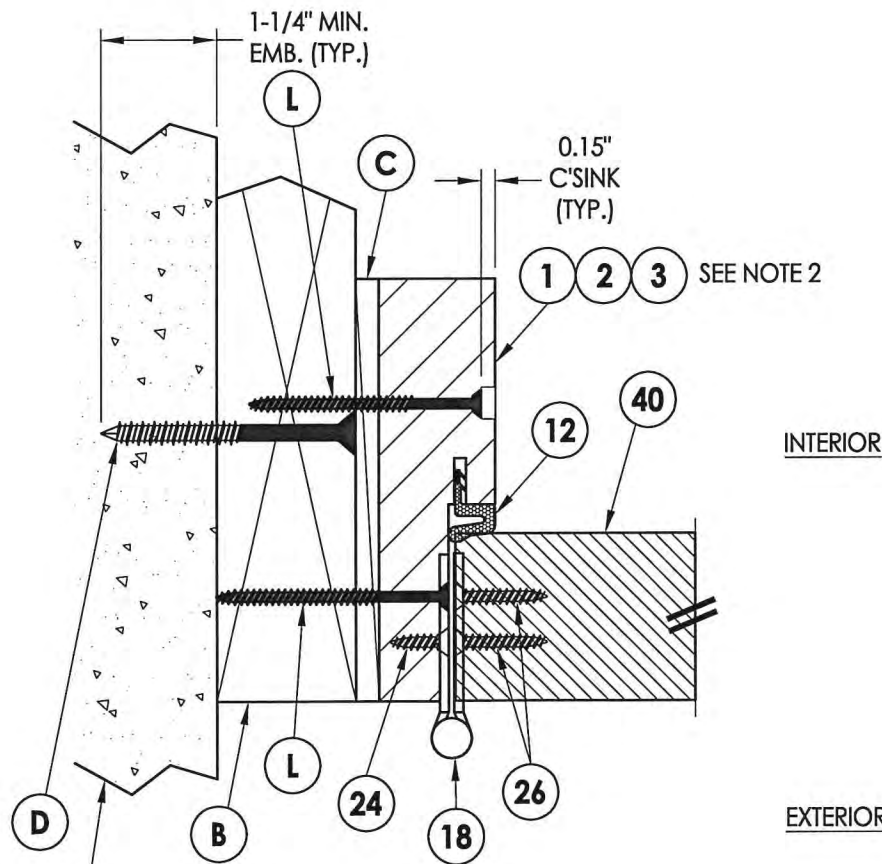
- Item #63 located 6" from each end and 3 more equally spaced (5 total).
- PVC frame may be use with double door without sidelites only.



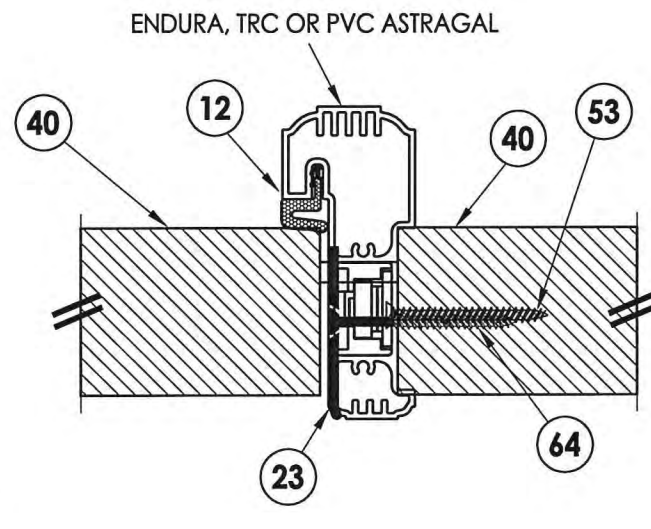
2 **HORIZONTAL CROSS SECTION**
7 Outswing shown - Inswing also approved
 Shown w/ wood jambs



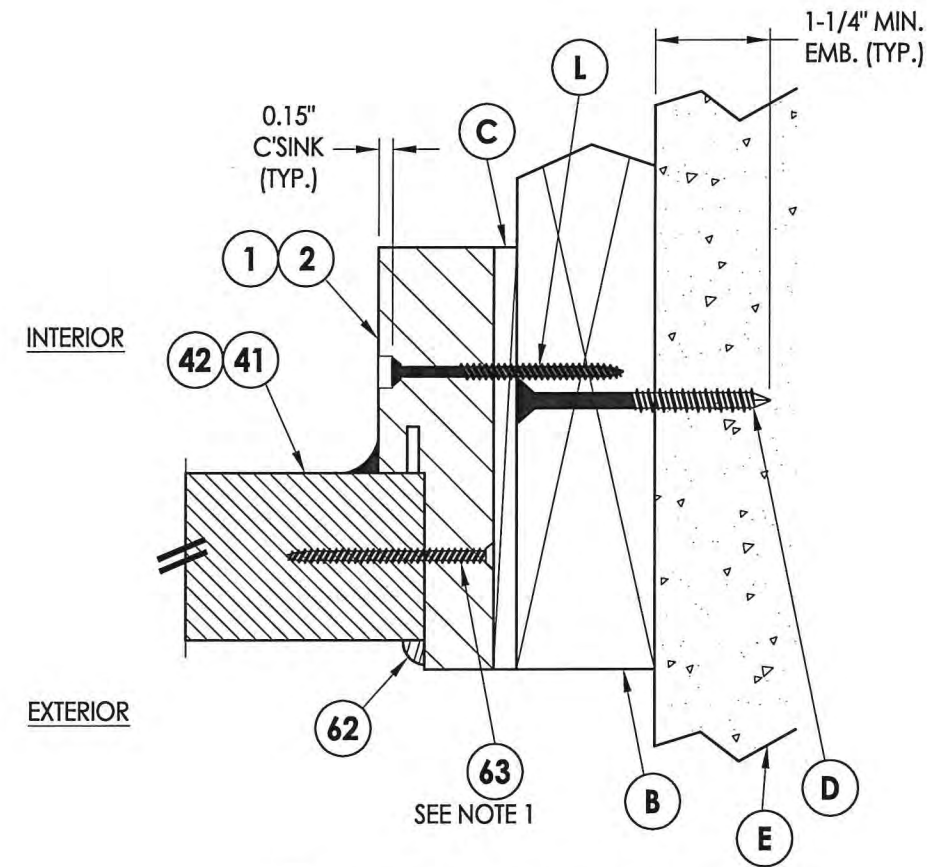
3 **HORIZONTAL CROSS SECTION**
7 Shown w/1X sub-buck



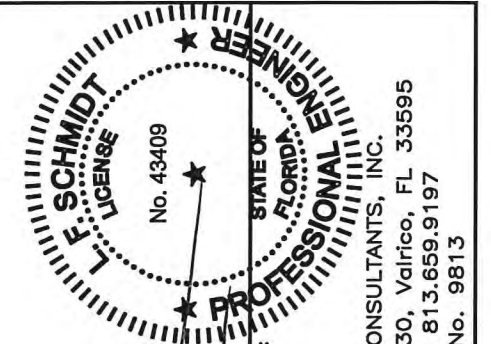
1 **HORIZONTAL CROSS SECTION**
7 Outswing shown - Inswing also approved



4 **HORIZONTAL CROSS SECTION**
7 Outswing shown - Inswing also approved



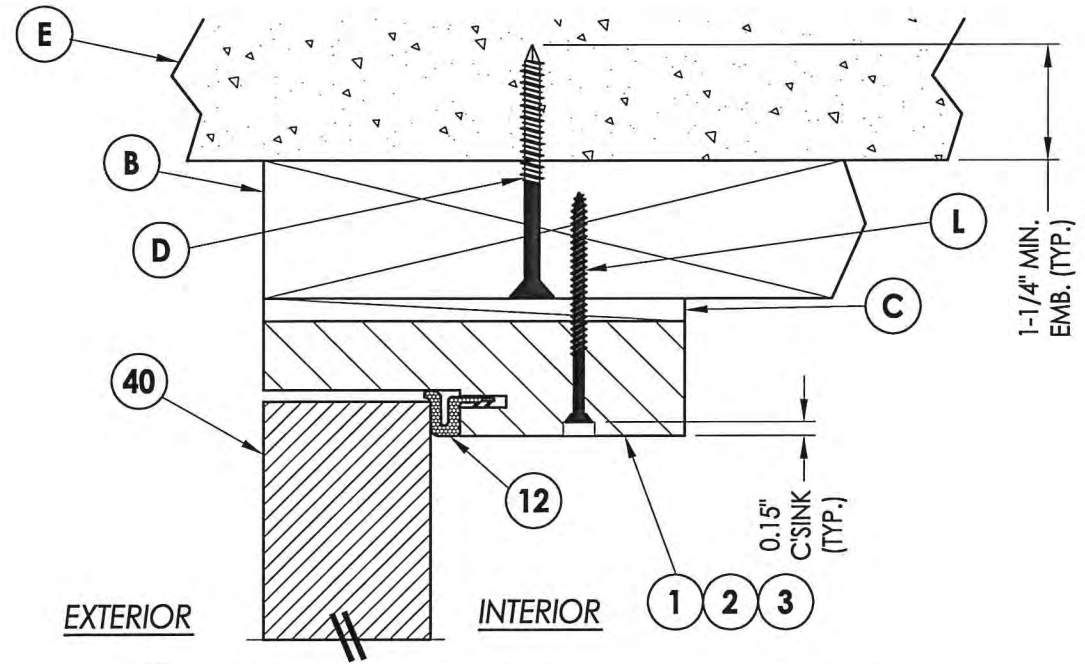
5 **HORIZONTAL CROSS SECTION**
7 Outswing shown - Inswing also approved



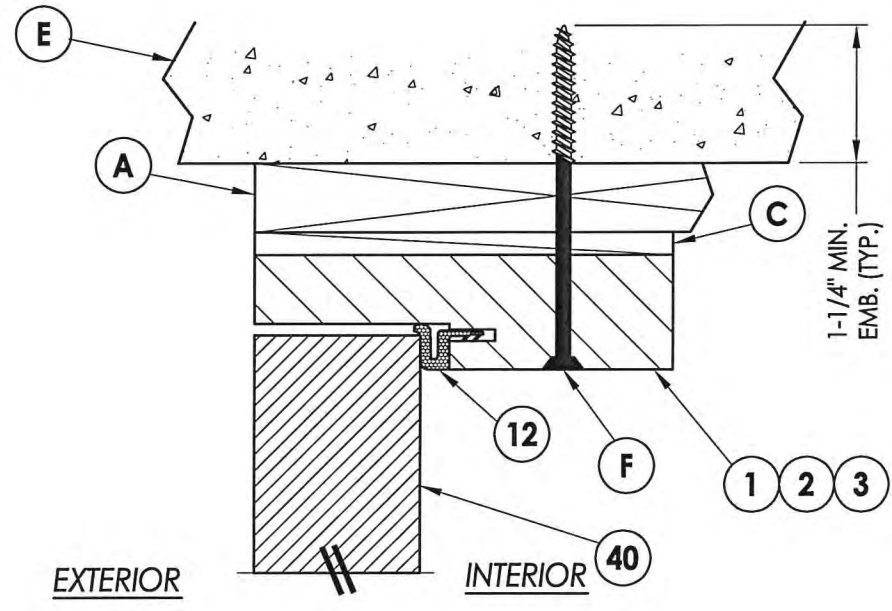
Documents Prepared By:
 Lyndon F. Schmidt
 P.E. No. 43409

R.W. BUILDING CONSULTANTS, INC.
 P.O. Box 230, Valrico, FL 33595
 Phone No.: 813.659.9197
 FBPE C.A. No. 9813

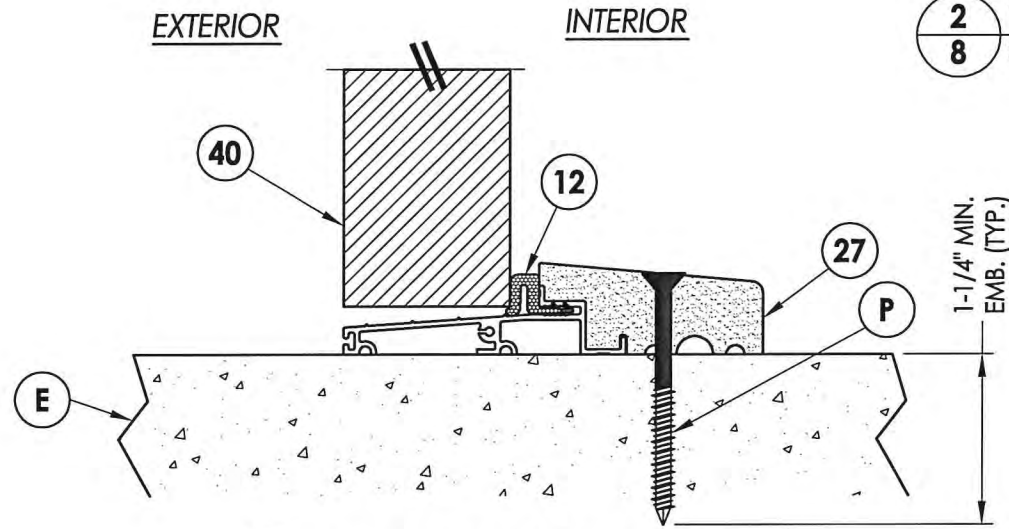
PRODUCT:		TRINITY GLASS INT'L	
PART OR ASSEMBLY:		HORIZONTAL CROSS SECTIONS	
NO.	DATE	JK	BY
1	03/02/15	UPDATE TO 5TH ED. (2014)	FBC
REVISIONS			
DATE: 2/27/12			
SCALE: N.T.S.			
DWG. BY: JK			
CHK. BY: LFS			
DRAWING NO.: FL-15255.16			
SHEET 7 OF 14			



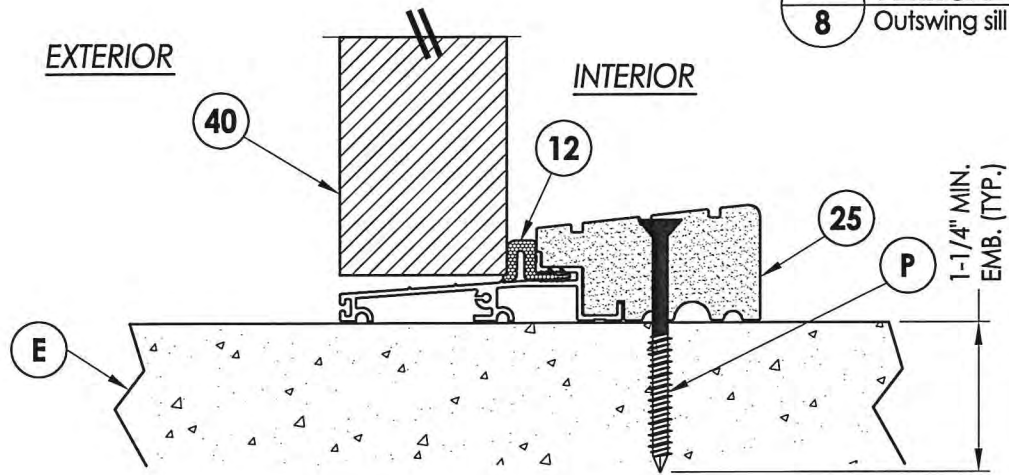
1 VERTICAL CROSS SECTION
8 Outswing shown
 Inswing also approved



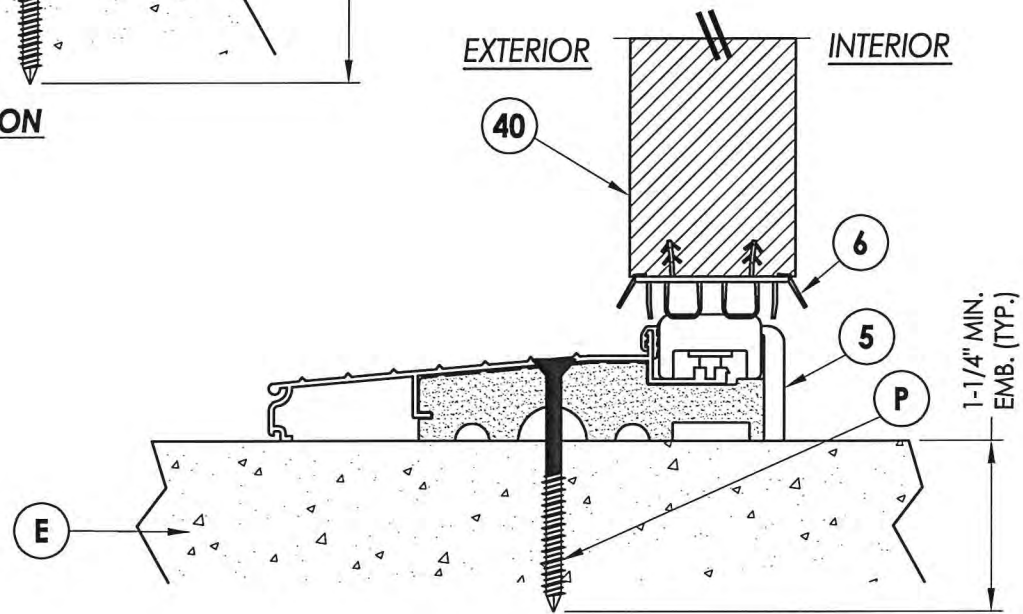
2 VERTICAL CROSS SECTION
8 Shown w/1X sub-buck



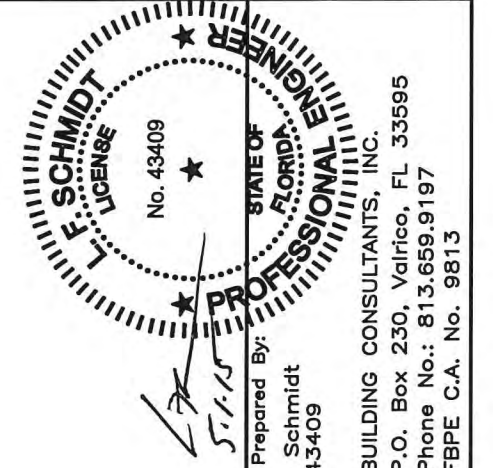
4 VERTICAL CROSS SECTION
8 Outswing sill



3 VERTICAL CROSS SECTION
8 Outswing sill - high dam



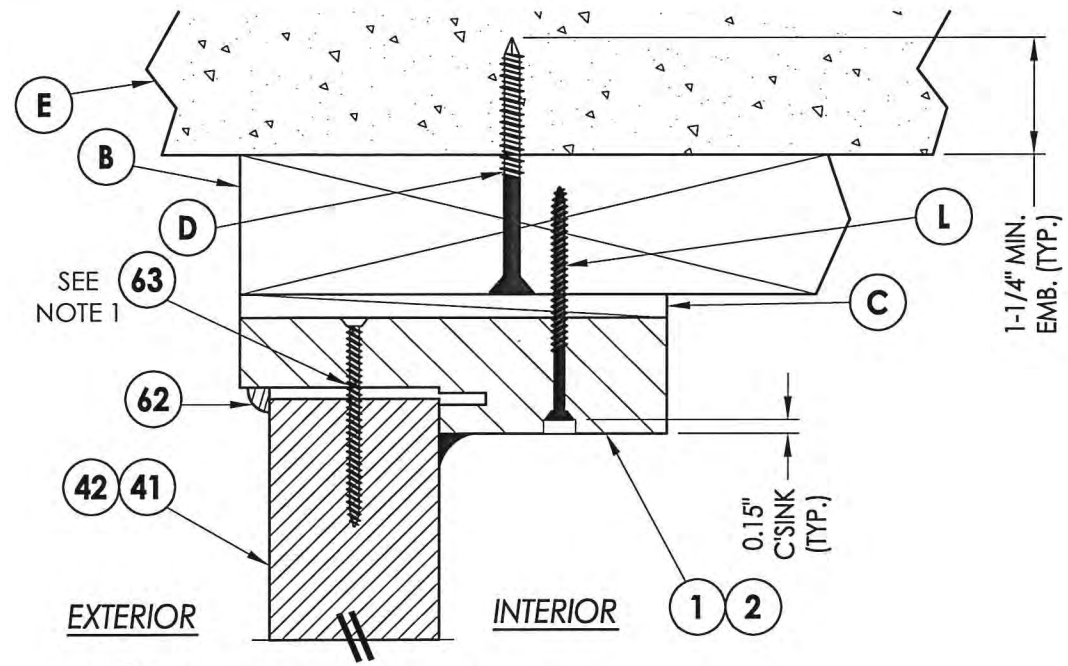
5 VERTICAL CROSS SECTION
8 Inswing sill



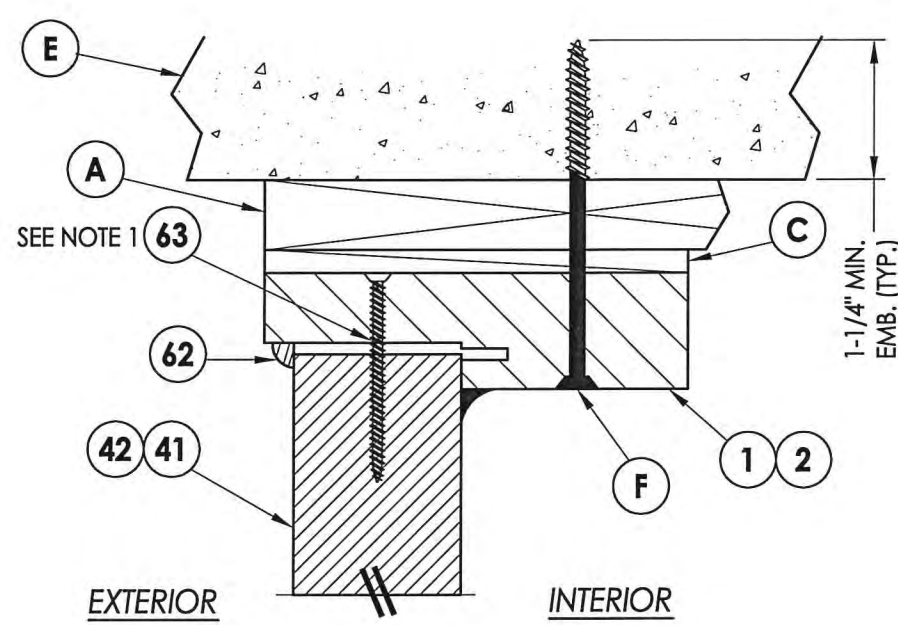
Documents Prepared By:
 Lyndon F. Schmidt
 P.E. No. 43409

R.W. BUILDING CONSULTANTS, INC.
 P.O. Box 230, Valrico, FL 33595
 Phone No.: 813.659.9197
 FBPE C.A. No. 9813

PRODUCT:		TRINITY GLASS INT'L	
PART OR ASSEMBLY:		VERTICAL CROSS SECTIONS	
NO.	DATE	BY	REVISIONS
1	03/02/15	JK	UPDATE TO 5TH ED. (2014) FBC
DATE:		2/27/12	
SCALE:		N.T.S.	
DWG. BY:		JK	
CHK. BY:		LFS	
DRAWING NO.:		FL-15255.16	
SHEET		8 OF 14	



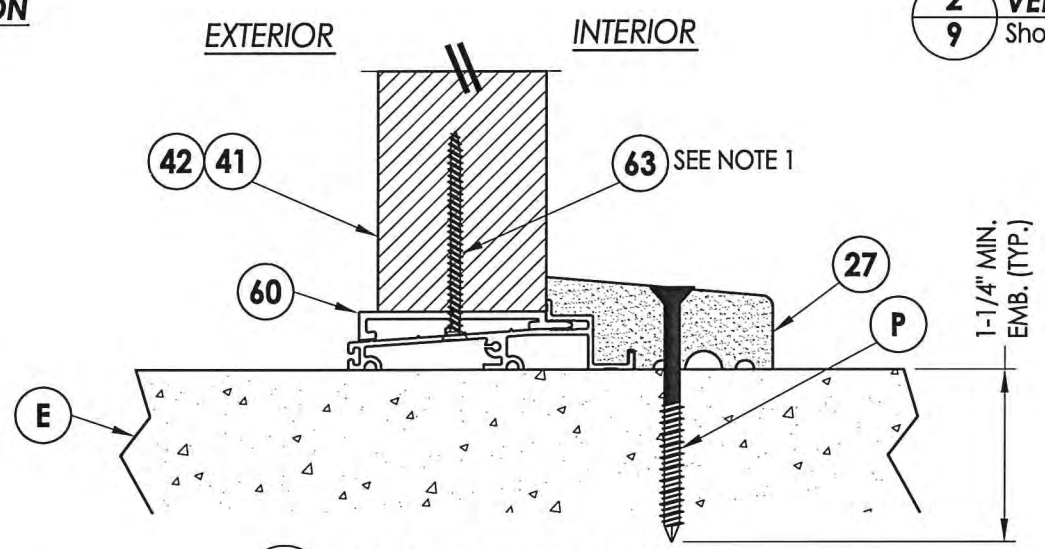
1
9 **VERTICAL CROSS SECTION**



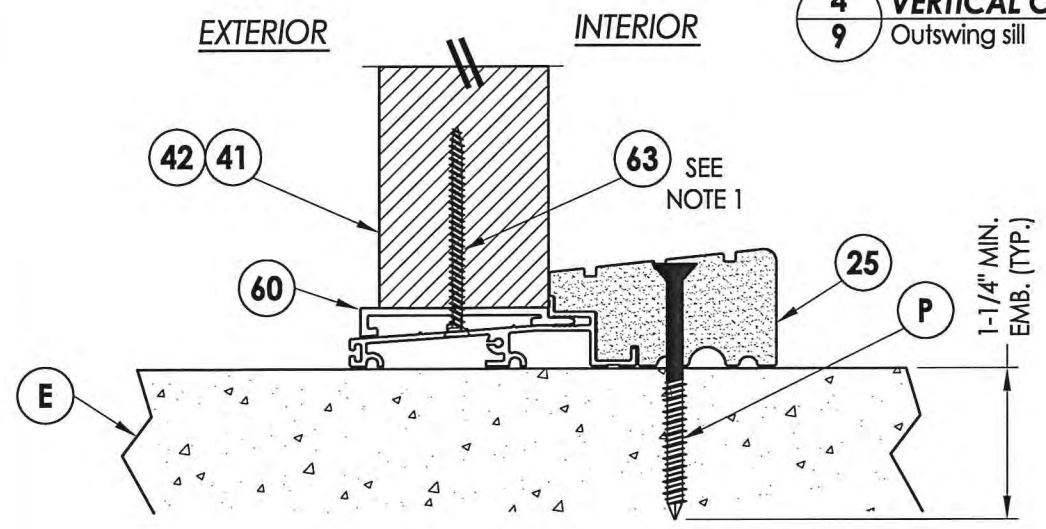
2
9 **VERTICAL CROSS SECTION**
Shown w/1X sub-buck

NOTE:

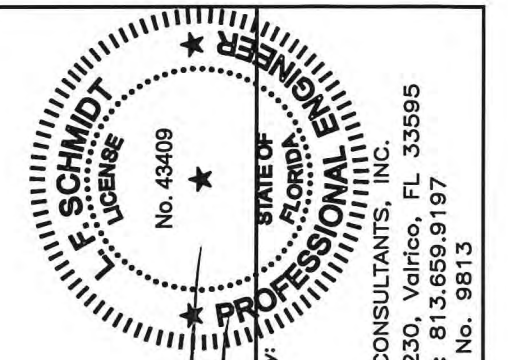
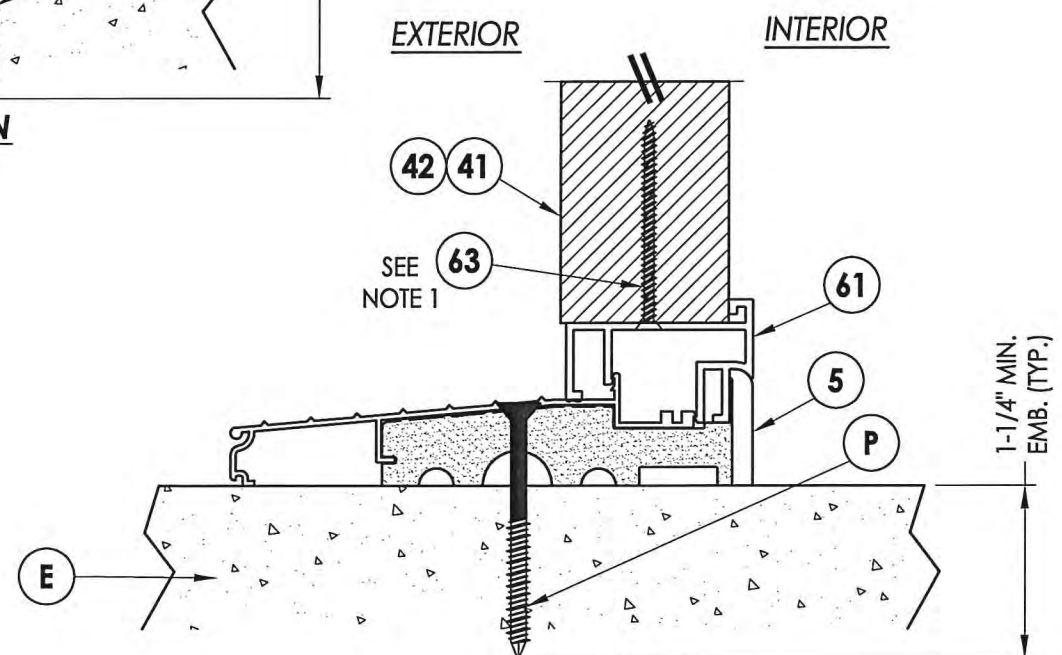
1. Screws thru head and sill jamb located 3" from each end and on center line.



4
9 **VERTICAL CROSS SECTION**
Outswing sill

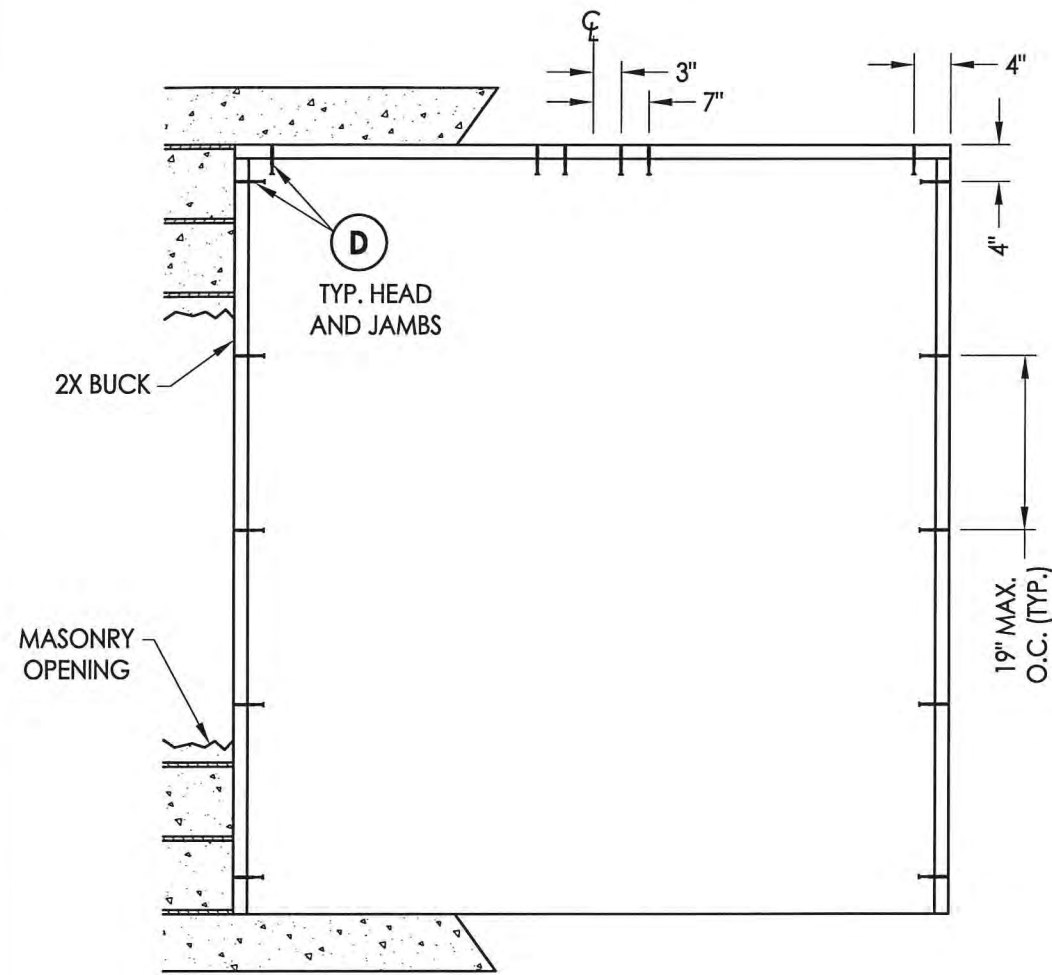


5
9 **VERTICAL CROSS SECTION**
Inswing sill

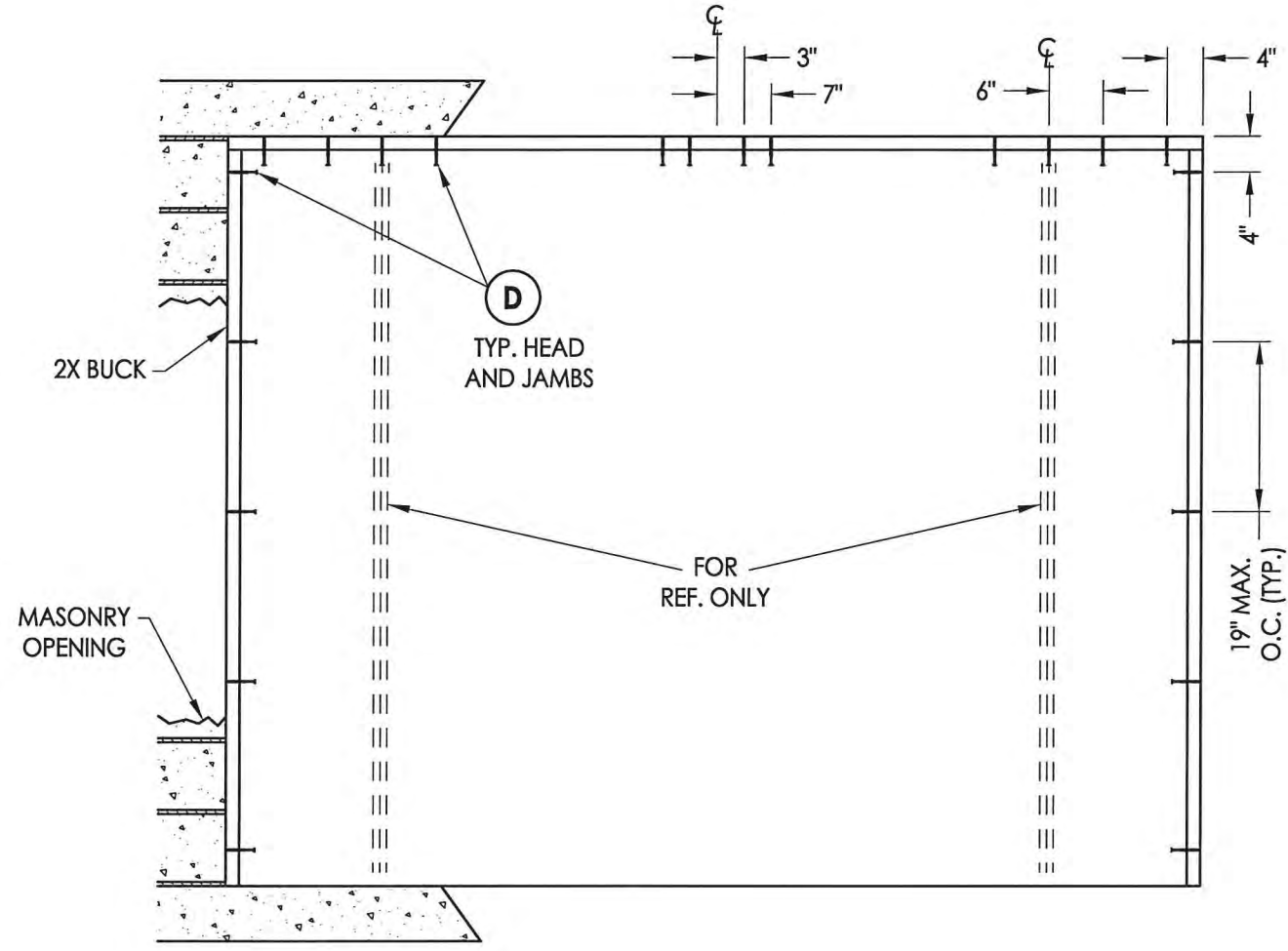


Documents Prepared By:
Lyndon F. Schmidt
P.E. No. 43409
RW
BUILDING CONSULTANTS, INC.
P.O. Box 230, Valrico, FL 33595
Phone No.: 813.659.9197
FBPE C.A. No. 9813

PRODUCT:	TRINITY GLASS INT'L	
PART OR ASSEMBLY:	VERTICAL CROSS SECTIONS	
DATE:	2/27/12	
SCALE:	N.T.S.	
DWG. BY:	JK	
CHK. BY:	LFS	
DRAWING NO.:	FL-15255.16	
SHEET	9 of 14	
NO.	DATE	BY
1	03/02/15	JK
REVISIONS		
UPDATE TO 5TH ED. (2014) FBC		



BUCK ANCHORING

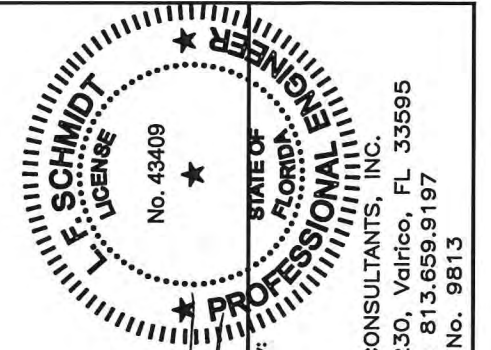


BUCK ANCHORING

CONCRETE ANCHOR NOTES:

1. Concrete anchor locations at the corners may be adjusted to maintain the min. edge distance to mortar joints.
2. Concrete anchor locations noted as "MAX. ON CENTER" must be adjusted to maintain the min. edge distance to mortar joints, additional concrete anchors may be required to ensure the "MAX. ON CENTER" dimension are not exceeded.
3. Concrete anchor table:

ANCHOR TYPE	ANCHOR SIZE	MIN. EMBEDMENT	MIN. CLEARANCE TO MASONRY EDGE	MIN. CLEARANCE TO ADJACENT ANCHOR
ITW TAPCON®	1/4"	1-1/4"	2"	4"
ELCO ULTRACON®	1/4"	1-1/4"	1"	4"

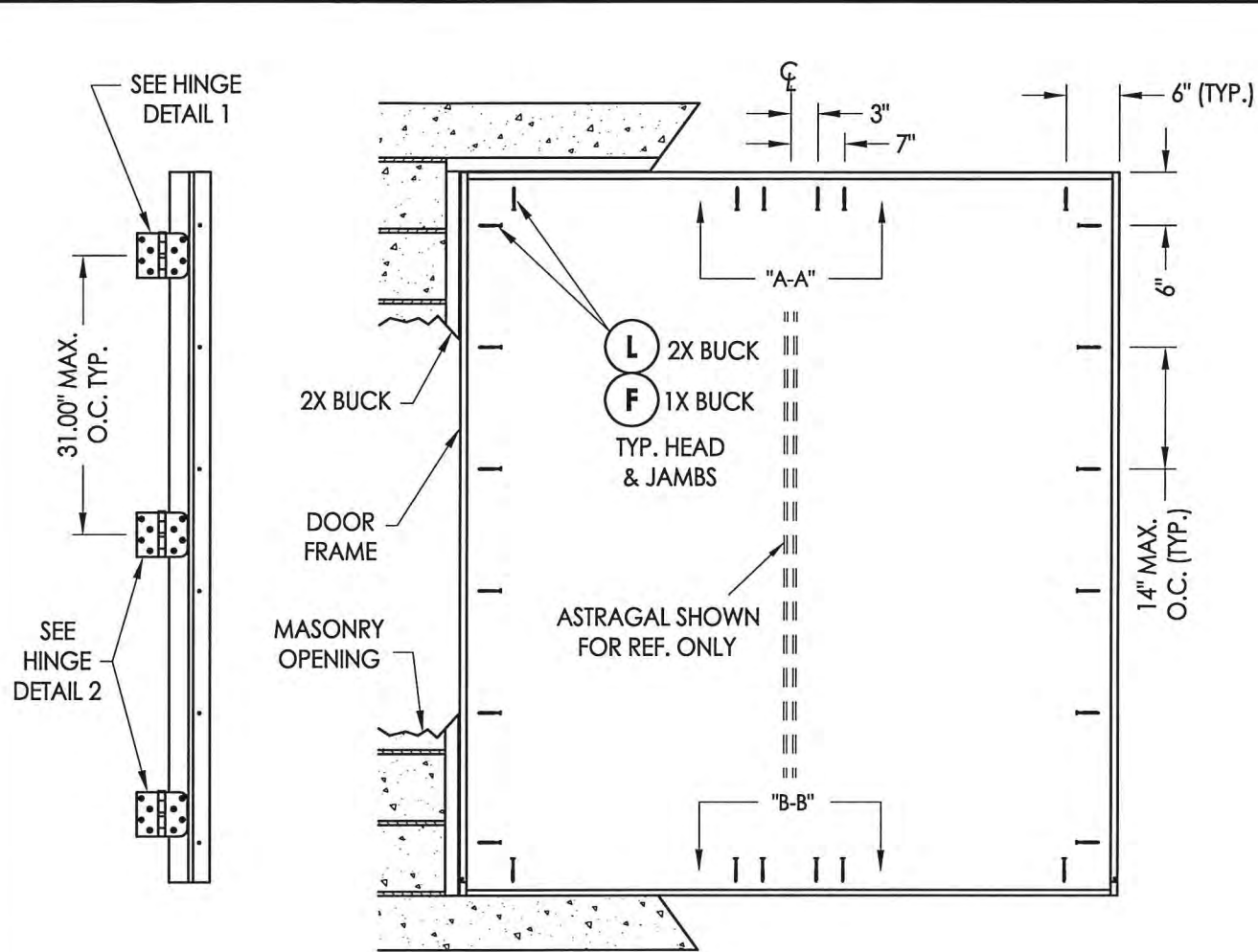


Documents Prepared By:
 Lyndon F. Schmidt
 P.E. No. 43409

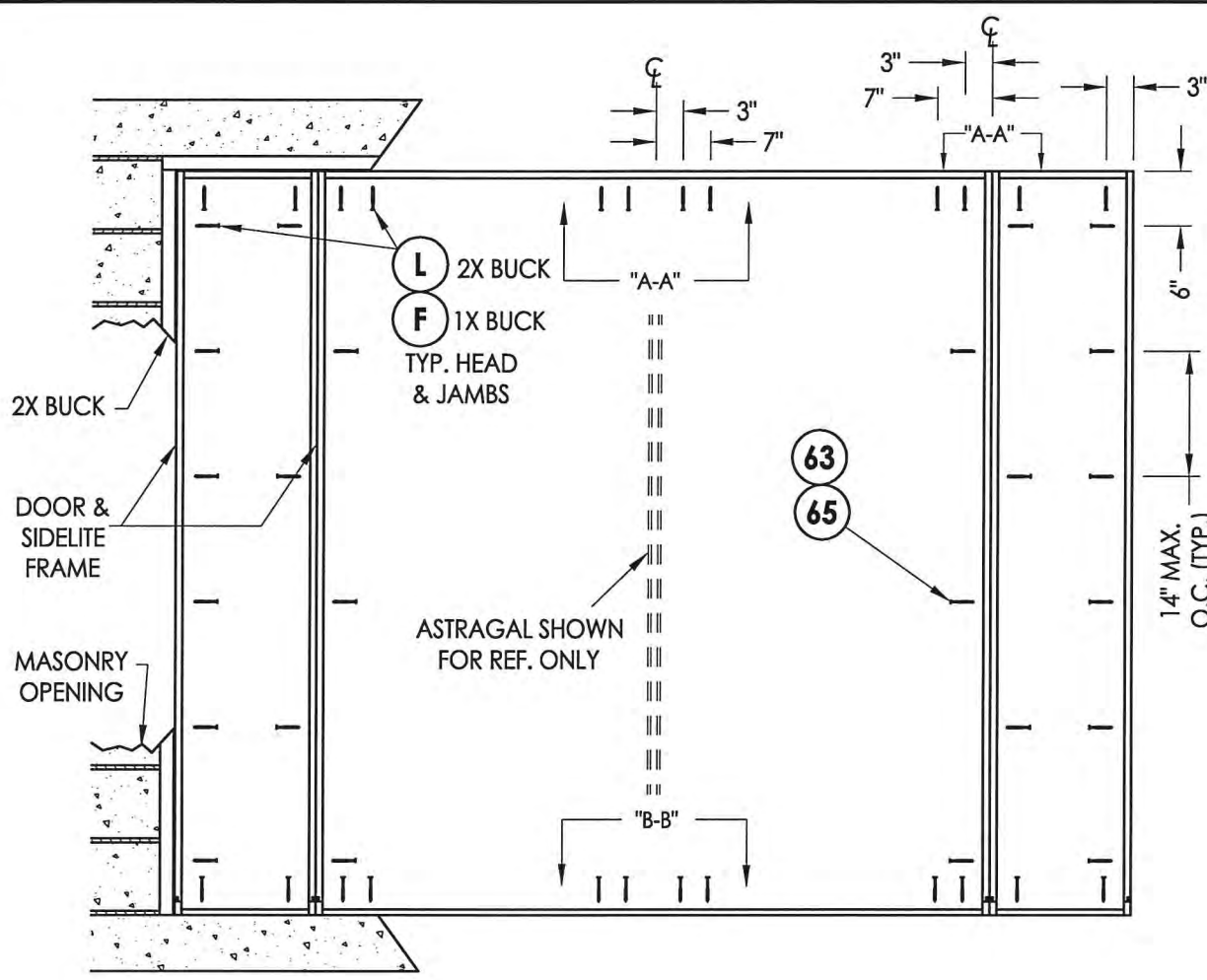
RW BUILDING CONSULTANTS, INC.
 P.O. Box 230, Valrico, FL 33595
 Phone No.: 813.659.9197
 FBPE C.A. No. 9813

PRODUCT:	TRINITY GLASS INT'L
PART OR ASSEMBLY:	BUCK ANCHORING
DATE:	2/27/12
SCALE:	N.T.S.
DWG. BY:	JK
CHK. BY:	LFS
DRAWING NO.:	FL-15255.16
SHEET	10 OF 14
NO.	1
DATE	03/02/15
REVISIONS	UPDATE TO 5TH ED. (2014) FBC
BY	JK

R:\Clients\Trinity PERMANENT\Florida Product Approvals\FL-15255\C - Drawings\FL-15255\FL-15255.13-16.dwg, 11.14

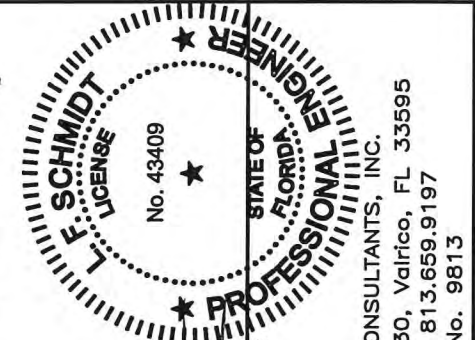


HINGE JAMB



FRAME ANCHORING

FRAME ANCHORING



Documents Prepared By:
Lyndon F. Schmidt
P.E. No. 43409

RW
BUILDING CONSULTANTS, INC.
P.O. Box 230, Vairco, FL 33595
Phone No.: 813.659.9197
FBPE C.A. No. 9813

PRODUCT: TRINITY GLASS INT'L
PART OR ASSEMBLY: FRAME ANCHORING

NO.	DATE	BY	REVISIONS
1	03/02/15	JK	UPDATE TO 5TH ED. (2014) FBC

DATE: 2/27/12
SCALE: N.T.S.
DWG. BY: JK
CHK. BY: LFS
DRAWING NO.: FL-15255.16
SHEET 11 OF 14

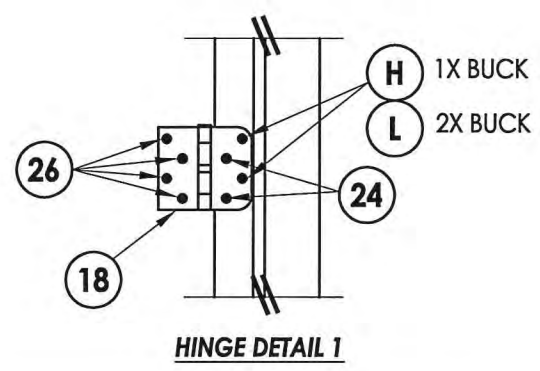
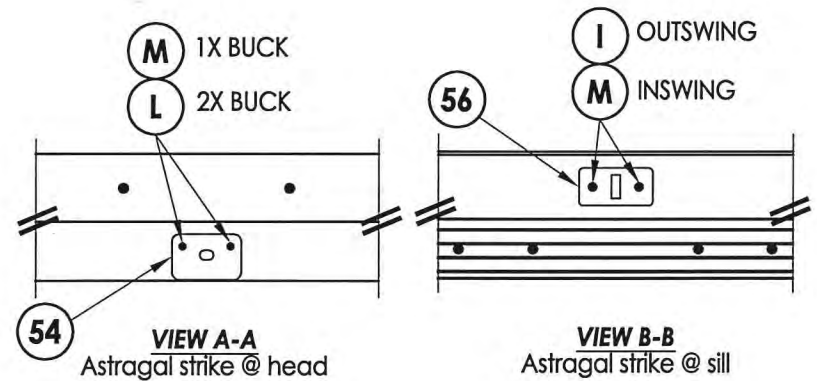
CONCRETE ANCHOR NOTES:

1. Concrete anchor locations at the corners may be adjusted to maintain the min. edge distance to mortar joints.
2. Concrete anchor locations noted as "MAX. ON CENTER" must be adjusted to maintain the min. edge distance to mortar joints, additional concrete anchors may be required to ensure the "MAX. ON CENTER" dimension are not exceeded.
3. Concrete anchor table:

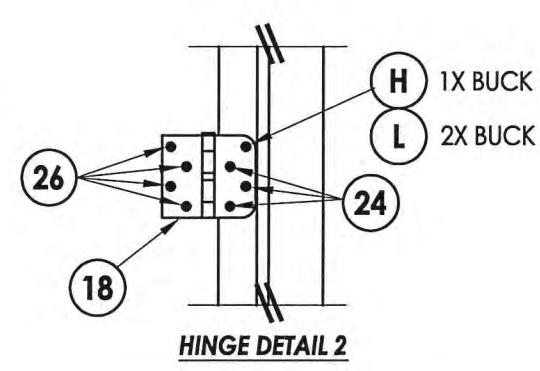
ANCHOR TYPE	ANCHOR SIZE	MIN. EMBEDMENT	MIN. CLEARANCE TO MASONRY EDGE	MIN. CLEARANCE TO ADJACENT ANCHOR
ITW TAPCON®	1/4"	1-1/4"	2"	4"
ELCO ULTRACON®	1/4"	1-1/4"	1"	4"
ITW TAPCON®	3/16"	1-1/4"	3"	1-1/2"

WOOD SCREW INSTALLATION NOTES:

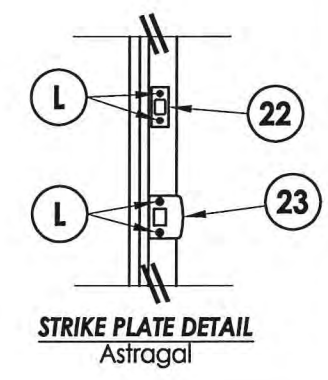
1. Maintain a minimum 5/8" edge distance, 1" end distance, & 1" o.c. spacing of wood screws to prevent the splitting of wood.



HINGE DETAIL 1



HINGE DETAIL 2

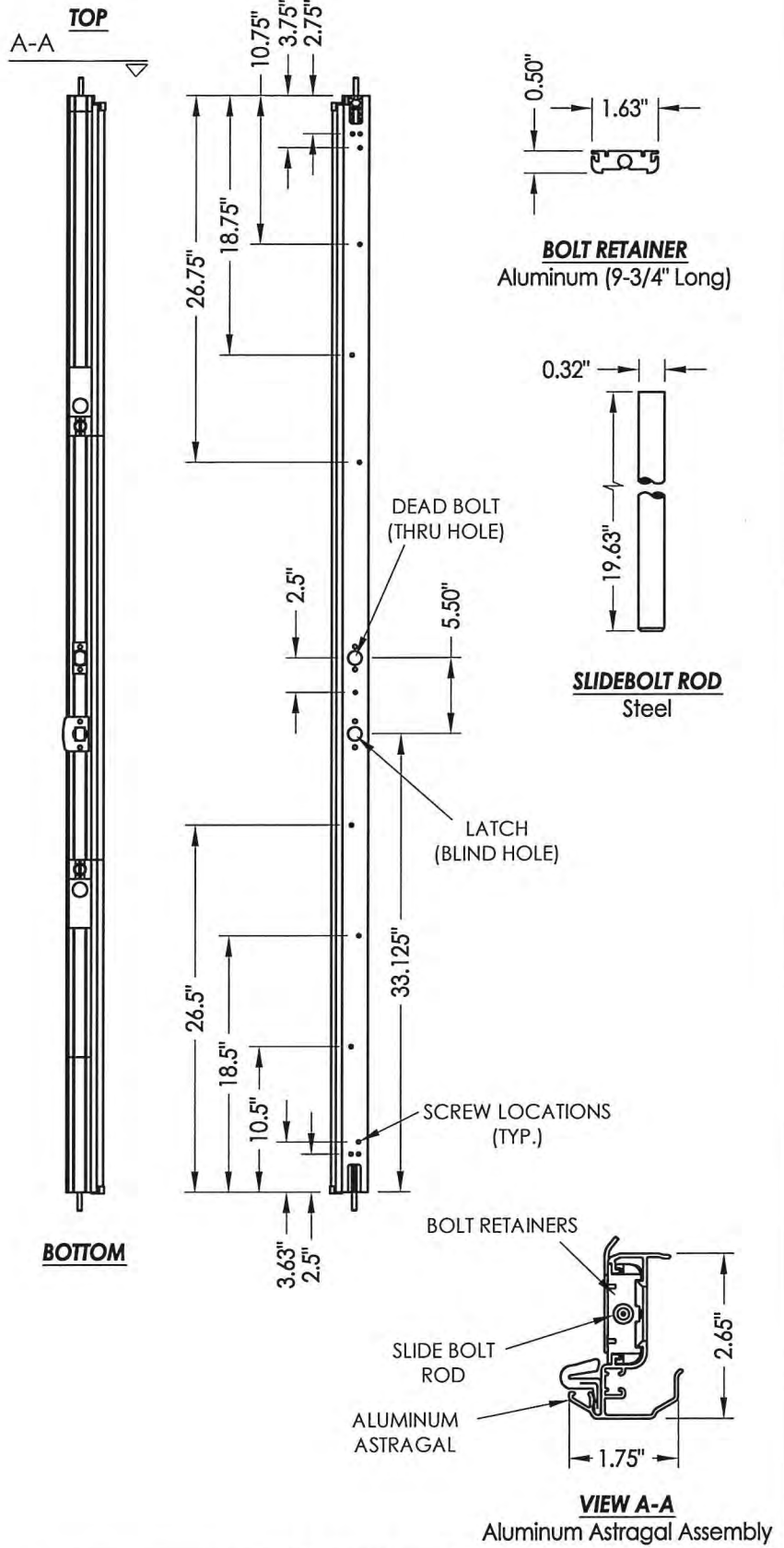


STRIKE PLATE DETAIL
Astragal

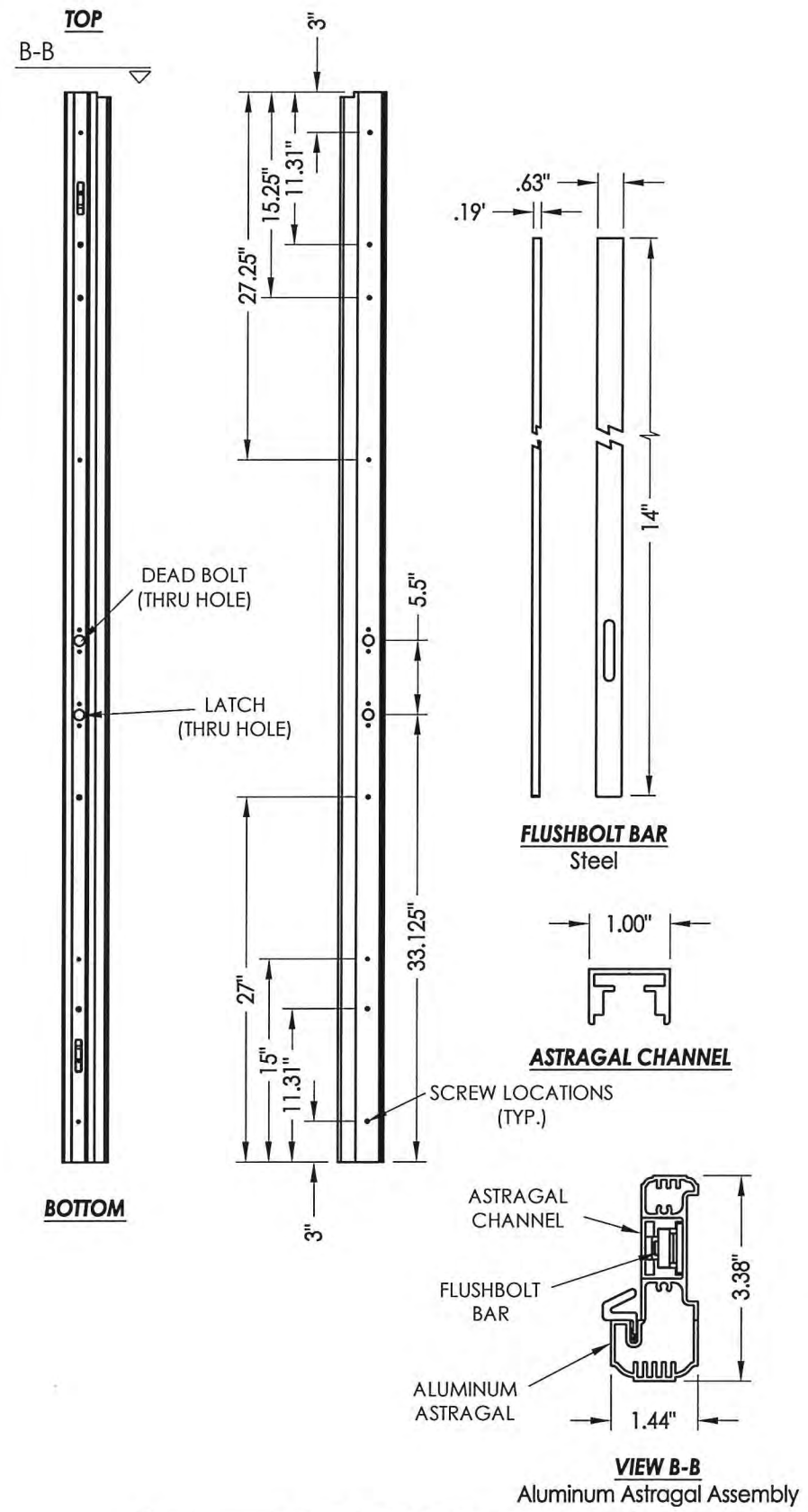
ASTRAGAL STRIKE JAMB

© 2012 R.W. BUILDING CONSULTANTS INC.

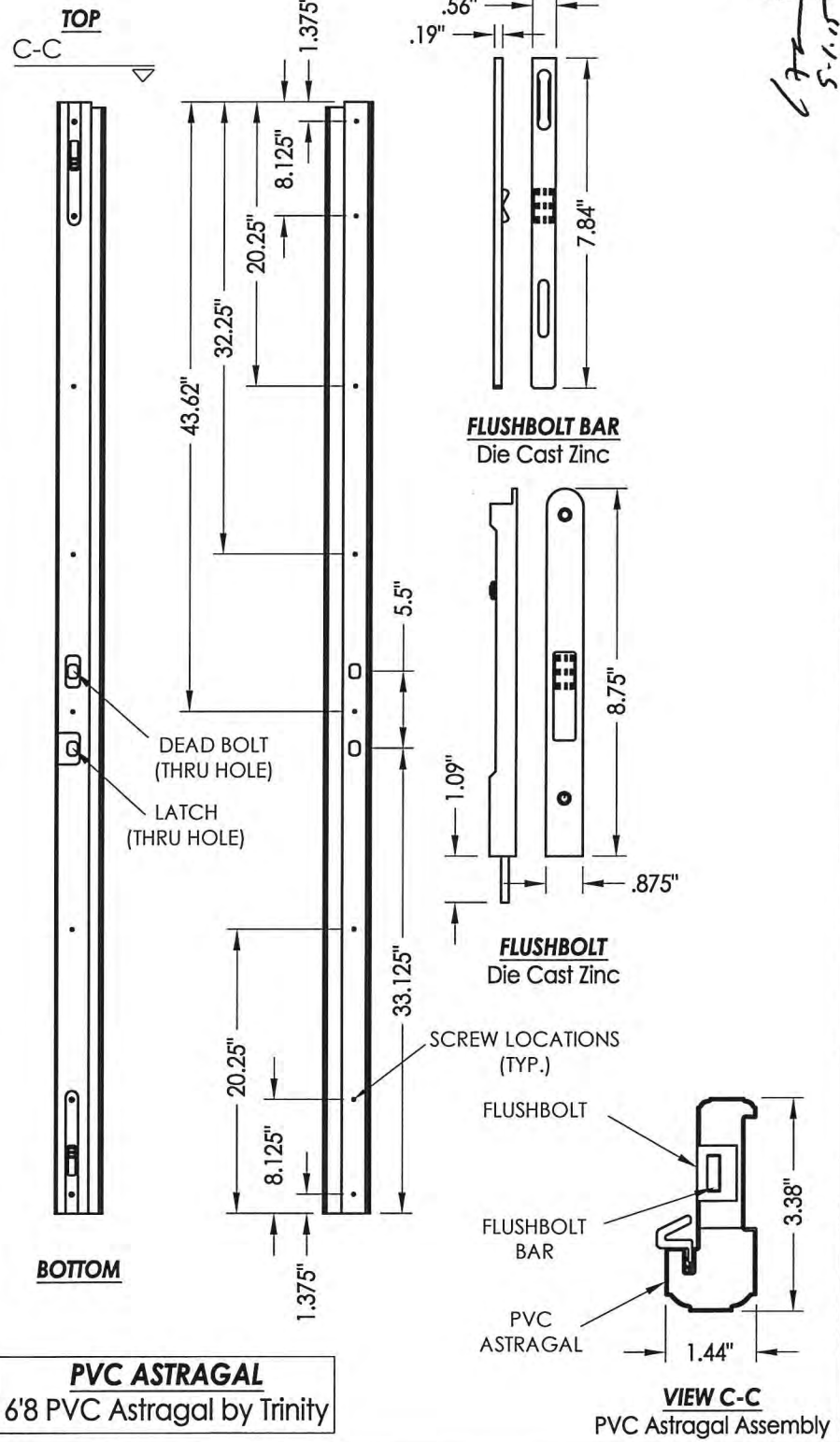
R:\Clients\Trinity PERMANENT\Florida Product Approvals\FL-15255\C - Drawings\FL-15255\FL-15255.13-16.dwg, 12.14



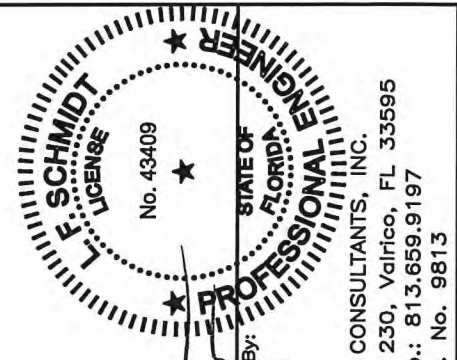
ENDURA ASTRAGAL
6'8 Aluminum Astragal by Endura Products



TRC ASTRAGAL
6'8 Aluminum Astragal by Trinity



PVC ASTRAGAL
6'8 PVC Astragal by Trinity



Documents Prepared By:
Lyndon F. Schmidt
P.E. No. 43409

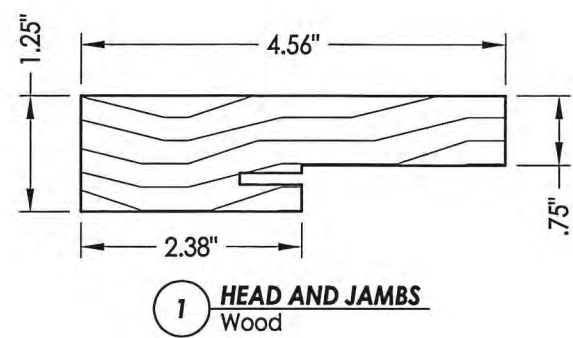
R.W. BUILDING CONSULTANTS, INC.
P.O. Box 230, Valrico, FL 33595
Phone No.: 813.659.9197
FBPE C.A. No. 9813

PRODUCT:	TRINITY GLASS INT'L
PART OR ASSEMBLY:	ASTRAGAL DETAILS

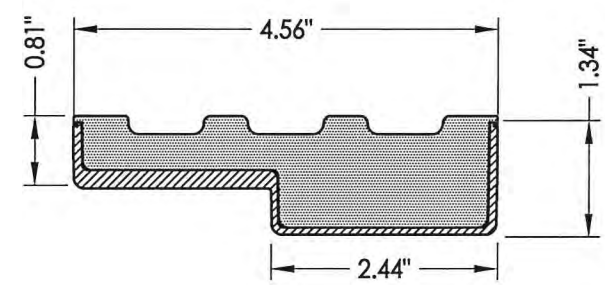
NO.	DATE	REVISIONS
1	03/02/15	UPDATE TO 5TH ED. (2014) FBC
JK		
BY		

DATE: 2/27/12
SCALE: N.T.S.
DWG. BY: JK
CHK. BY: LFS
DRAWING NO.: FL-15255.16
SHEET 12 OF 14

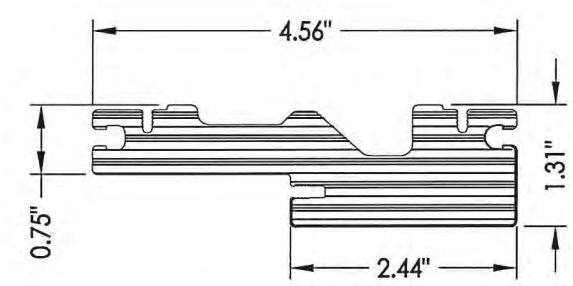
R:\Clients\Trinity PERMANENT\Florida Product Approvals\FL-15255\C - Drawings\FL-15255\FL-15255.13-16.dwg, 13.14



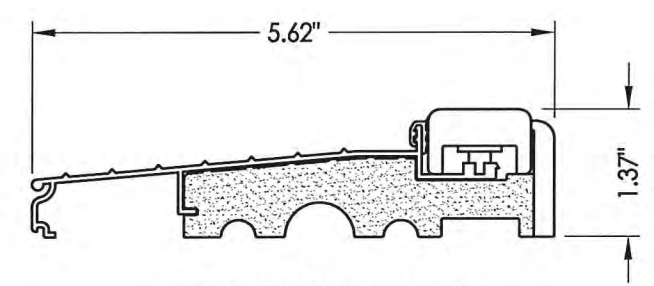
1 HEAD AND JAMBS
Wood



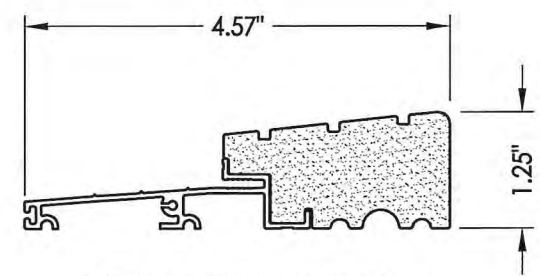
2 HEAD AND JAMBS
Composite PVC Base
w/ Fiberglass Wrap



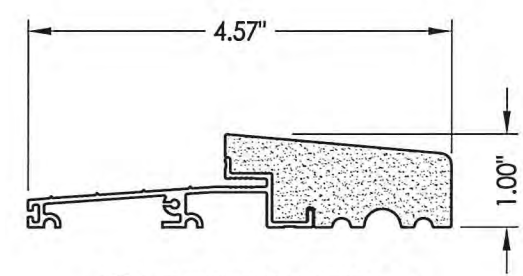
3 HEAD AND JAMBS
PVC



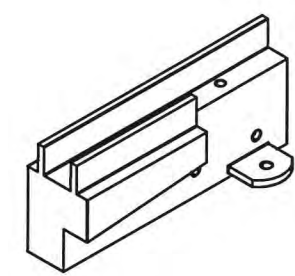
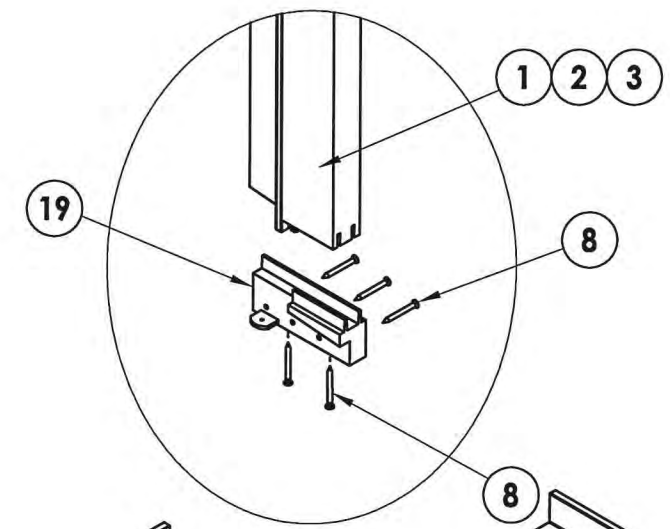
5 INSWING THRESHOLD



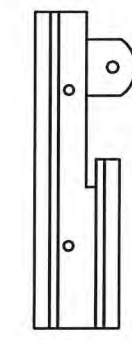
25 OUTSWING THRESHOLD
High-dam



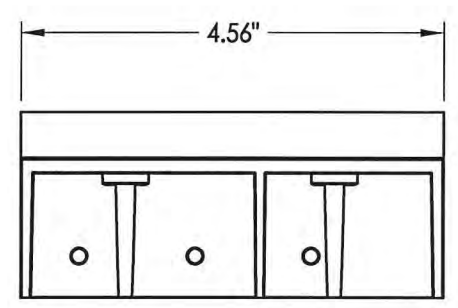
27 OUTSWING THRESHOLD



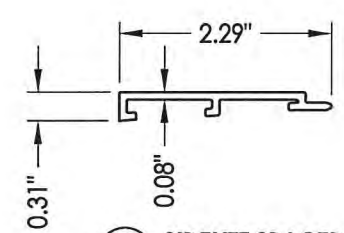
SILLKEY, LEFT
SCALE: NONE



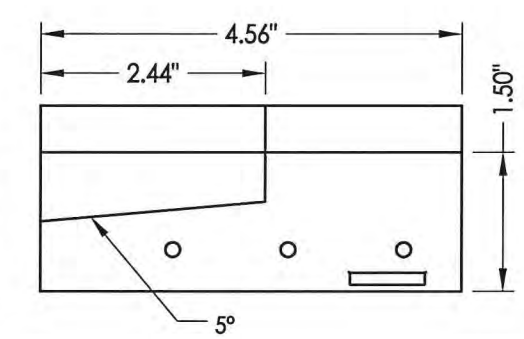
SILLKEY, RIGHT
SCALE: NONE



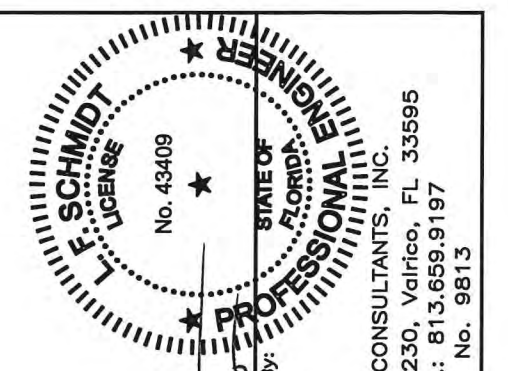
19 SILLKEY DETAILS
Optional



60 SIDELITE SPACER
Outswing



61 SIDELITE SPACER
Inswing



Documents Prepared By:
Lyndon F. Schmidt
P.E. No. 43409

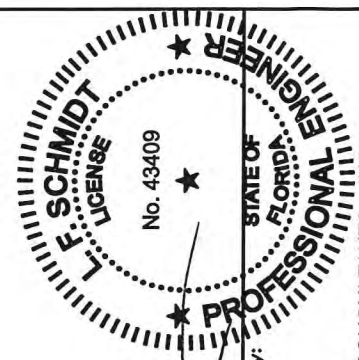
R.W. BUILDING CONSULTANTS, INC.
P.O. Box 230, Valrico, FL 33595
Phone No.: 813.659.9197
FBPE C.A. No. 9813

PRODUCT:	TRINITY GLASS INT'L
PART OR ASSEMBLY:	COMPONENTS

NO.	DATE	DESCRIPTION	BY
1	03/02/15	UPDATE TO 5TH ED. (2014) FBC	JK

DATE:	2/27/12
SCALE:	N.T.S.
DWG. BY:	JK
CHK. BY:	LFS
DRAWING NO.:	FL-15255.16
SHEET	13 OF 14

BILL OF MATERIALS		
ITEM #	DESCRIPTION	MATERIAL
A	1X BUCK SG >= 0.55	WOOD
B	2X BUCK SG >= 0.55	WOOD
C	1/4" MAX. SHIM SPACE	-
D	1/4" X 2-3/4" PFH ELCO OR ITW CONCRETE SCREW	STEEL
E	MASONRY - 3,000 PSI MIN. CONCRETE CONFORMING TO ACI 301 OR HOLLOW BLOCK CONFORMING TO ASTM C90	CONCRETE
F	1/4" X 3-3/4" PFH ITW CONCRETE SCREW	STEEL
H	1/4" X 3-1/4" PFH ITW CONCRETE SCREW	STEEL
I	3/16" X 1-1/4" PFH ITW CONCRETE SCREW	STEEL
J	#9 X 2-1/4" PFH WS	STEEL
L	#8 X 2-1/2" PFH WS	STEEL
M	3/16" X 3-1/4" PFH ITW CONCRETE SCREW	STEEL
P	1/4" X 2-3/4" PFH ITW CONCRETE SCREW	STEEL
1	JAMB (FINGER-JOINT PINE - SG >= 0.42)	WOOD
2	JAMB	FIBERGLASS/COMP
3	JAMB	PVC
5	INSWING THRESHOLD ALUMINUM W/ COMPOSITE SUBSTRATE	ALUMINUM
6	DOOR BOTTOM SWEEP	PVC
8	#6 X 1-1/4 PFH DRYWALL SCREW	STEEL
12	WEATHER STRIP QEBD650 Q-LON	-
18	3.983" X 4.0" HINGE MIN 0.098" THICK	STEEL
19	SILLKEY	PC/ASA
22	DEADBOLT STRIKE PLATE	STEEL
23	LATCH STRIKE PLATE	STEEL
24	#9 X 5/8" PFH WS	STEEL
25	OUTSWING HIGH-DAM THRESHOLD ALUMINUM W/ COMPOSITE SUBSTRATE	ALUM./ COMP.
26	#9 X 1.0" PFH WS	STEEL
27	OUTSWING THRESHOLD ALUMINUM W/ COMPOSITE SUBSTRATE	ALUM./ COMP.
40	DOOR PANEL - SEE DOOR PANEL DETAIL SHEET FOR CONSTRUCTION DETAILS	-
41	SIDELITE PANEL - SEE SIDELITE PANEL DETAIL SHEET FOR CONSTRUCTION DETAILS	-
42	SIDELITE PANEL - SEE SIDELITE PANEL DETAIL SHEET FOR CONSTRUCTION DETAILS	-
53	#8 X 1-3/4" PFH SMS	STEEL
54	ASTRAGAL STRIKE @ HEAD	STEEL
56	ASTRAGAL STRIKE @ SILL	STEEL
60	SIDELITE SPACER - OUTSWING	PVC
61	SIDELITE SPACER - INSWING	PVC
62	QUARTER ROUND	WOOD
63	#8 X 2-1/4" PFH WOOD SCREW	STEEL
64	#8 X 2" PFH WOOD SCREW	STEEL
65	#10 X 2" PFH WOOD SCREW	STEEL



Documents Prepared By:
Lyndon F. Schmidt
P.E. No. 43409

R.W. BUILDING CONSULTANTS, INC.
P.O. Box 230, Valrico, FL 33595
Phone No.: 813.659.9197
FBPE C.A. No. 9813

PRODUCT: TRINITY GLASS INT'L

PART OR ASSEMBLY:
BILL OF MATERIALS

NO.	DATE	BY	REVISIONS
1	03/02/15	JK	UPDATE TO 5TH ED. (2014) FBC

DATE: 2/27/12
SCALE: N.T.S.
DWG. BY: JK
CHK. BY: LFS
DRAWING NO.: FL-15255.16
SHEET 14 OF 14